



# GB PARTS



WEARING PARTS

PLOUGHS

DISC IMPLEMENTS

TINE IMPLEMENTS



# PARTS PRICE LIST 227

Price available from 1<sup>st</sup> November 2022  
Public prices ex-works (€) without taxes

# CONTACT US!

Grégoire Besson  
**FRANCE**

Tel. +33 (0)2 41 64 72 67

2 rue Victor Grégoire  
Montfaucon-Montigné  
49230 - SEVREMOINE  
France

Grégoire Besson  
**Polska & baltics**

Tel. +48 61 297 75 30

Kowanówko ul.  
Obornicka 1A 64-600 Oborniki  
Polska

Grégoire Besson  
**Eastern Europe**

Tel. +36 30 373 9167

Grégoire Besson  
**Vostok**

Tel. +7 472 240-22-10

308006 Россия, г.Белгород  
ул. Корочанская 132 А  
Russia

Grégoire Besson  
**Canada**

Tel. +1 450-253-5615

5900B, rue Barré  
Saint-Hyacinthe - QC J2R 1E4  
Canada

Grégoire Besson  
**Italy**

Tel. +39 0731 375970

Via dell'industria, 9-9/A-9/B  
Monte Roberto (AN)  
Italia

Grégoire Besson  
**Ukraine**

Tel. +38 0472 712 823

18028, Україна, Черкаська обл.,  
м. Черкаси, вул.  
Самійла Кішки, буд. 202.  
Ukraine

Grégoire Besson  
**China**

Tel. +86 1065 08 06 40

法国格力格尔-贝松公司 北京代表处  
静里中街3号长信大厦220室  
China

[contact@gb-group.co](mailto:contact@gb-group.co)

# SUMMARY

## PARTS PRICE LIST 227

Palletization	5
Trading terms and conditions of sales	48

### Ploughs 8

MOULDBOARD WITH BAR POINT	8
Wearing parts	8
Carbide parts	8
Mouldboard	9
Replacement mouldboard	9
Share replacement parts	9
Structural parts of bar body	10
Mouldboard stay	10
BODY WITH BOLT-ON POINT	12
Wearing parts	12
Carbide parts	12
Mouldboard	14
Shinpiece	15
Mouldboard extension	15
Body CV	15
Structural parts of point body	16
D9 Body and D2/D3 Body	17
Mouldboard stay	17
SKIMMER EQUIPMENT	18
Long skimmer	18
Short skimmer	18
Skimmer support and leg	18
TRASHBOARD OF MOULDBOARD	19
DISC COULTERS	19
BOLTWORK	20
BEARINGS	21
WEARING PLATE	21
STEEL PLATE	21
BUSHES	22
Steel	22
Bronze and permaglide	22
Plastic	22
STEEL KITS FOR RAM	23
Frames	23
Headstocks	23
Wheels	23
Safety devices	23
O-ring	23
HITCHES	24
Bars	24
Pins	24
Adjuster screws	24
SHAFTS	25
SHAFT CARRIER + SHAFT	25
SPRINGS	25
HYDRAULIC COMPONENT	26
PAINTING	26
WHEELS	27
Tyres	27
Complete wheel	27
Rim	27

### Disc implements 28

DISCS	28
C40	28
C50	28
R740	29
Roll'Coup	29
Cren'Flex	29
Normandie	29
Occitan	29
Flailed	29
Disc for no projection	29
BEARINGS	30
C40	30
C50	30
FEN 240	30
FEN 440	30
UCP213	31
UGB213	31
BTE / BTL	31
Normandie	31
Discopak	31
Discomix	31
Discoflex	31
Reflex	31
DISC GANGS EQUIPMENT	32
Shaft square C40	32
Coils	32
U-Bolt	32
SCRAPPER	33
EMOPAK ROLLER	33
HITCHES	33
BUSHES	34
SEAL KIT FOR HYD CYLINDER	34
WHEEL AXLES	35
Square of 60 / 70 / 80 / 100	35

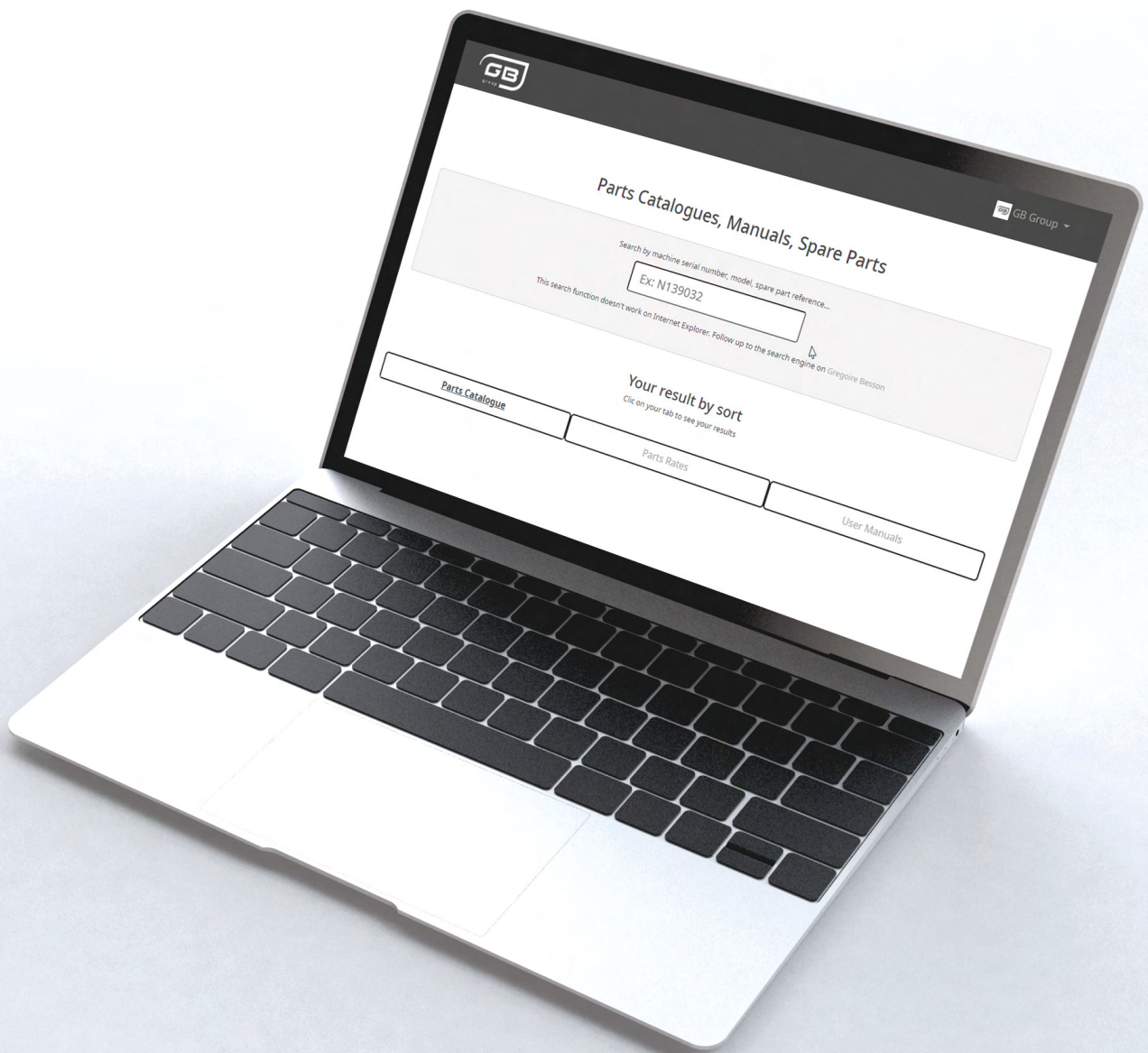
### Tine implements 36

SUBSOILERS	36
LD tine	36
MICHEL tine 900 EA80	39
MICHEL tine 900 EA90	39
SUBSOILERS	38
NT tine	38
DISCORDON	38
EUROCHISEL TINE	39
WEARING PARTS	40
Dekoflex	40
QUICK CHANGE	43
FIXATIONS	43
PLANISERIE	44
Planipak / Planidisk	44
Crossboard accessories	44
Parts for Diskosol and Planidisk	44
TINES FOR SEED BED HARROW	44
TETRIS	45
FLAT HARROW	45
PRECILITOR	45

### Naud 46

NAUD wearing parts	46
Skimmers	46
Mouldboards	47
Components	47
Boltwork	47
Security elements	47





[parts.gb-group.co](https://parts.gb-group.co)

To access our parts catalogues and user manuals, simply enter the serial number of the machine, the model, or the reference of the desired part.



# Freight costs

## International Express or Economy

INTERNATIONAL EXPRESS Transport Cost in €			
Transit time	24 H	24 H	24 H
Weight (Kg)	AREA 1	AREA 2	AREA 3
	€ Price (up to superior Kg)		
0 > 1	28.35	30.14	36.57
1 > 2	31.05	33.48	43.28
2 > 3	33.55	36.84	49.99
3 > 4	35.91	40.19	56.70
4 > 5	37.26	42.43	61.79
5 > 6	39.63	45.71	70.96
6 > 7	41.98	48.98	80.10
7 > 8	44.34	52.25	89.26
8 > 9	50.21	58.20	98.41
9 > 10	61.79	58.20	98.41
10 > 15	61.79	71.85	132.59
15 > 20	77.28	92.19	193.17
20 > 25	96.59	119.44	251.55
25 > 30	119.68	152.83	312.90
30 > 35	139.55	181.40	388.38
35 > 40	151.19	197.94	442.00
40 > 45	160.08	210.86	487.23
45 > 50	171.54	227.12	539.93
50 > 55	182.97	243.37	592.63
55 > 60	194.42	259.64	645.33
60 > 65	206.09	276.00	695.38
65 > 70	207.59	278.65	710.36
> 70	Contact us	Contact us	Contact us

INTERNATIONAL ECONOMY Transport Cost in €			
Transit time	3 days	4 days	5 days
Weight (Kg)	AREA 1	AREA 2	AREA 3
	€ Price (up to superior Kg)		
0 > 10	39.24	58.67	123.63
10 > 20	43.89	63.46	125.60
20 > 30	48.78	72.62	128.00
30 > 40	53.47	79.73	130.76
40 > 50	58.22	84.44	132.88
50 > 60	63.67	95.45	147.39
60 > 70	68.30	99.73	149.11
70 > 80	72.88	106.07	150.77
80 > 90	77.41	112.36	152.44
90 > 100	82.22	116.20	154.02
Weight	€ Price (up to superior Kg)		
100 > 200	74,95	110,26	146,76
200 > 300	68,22	100,43	129,71
300 > 400	60,84	90,23	116,03
400 > 500	44,40	84,14	107,51
> 500	53,13	76,93	93,22



### Processing of orders:

The orders above 5 kgs which are not marked as Express order, will be sent via standard delivery.

The express orders received before 12.00 will be sent the same day if the parts are in stock.



### Transport incident:

For any shipping problem (damaged parcel...), it will be indispensable to express reservations to the shipper and advise us in order to make a claim.

**Area 1**  
Germany, Belgium, Spain, Italy, Luxembourg, Netherlands,

**Area 2**  
Austria, Denmark, Finland, Rep. Ireland, Portugal, Hungria, Poland

**Area 3**  
Bulgaria, Croatia, Estonia, Latvia, Lituania, Romania, Slovaquia, Sweden, Czech Republic, Switzerland

Example for calculation (price for 100 Kgs) : For 435 Kgs in area 1 : Multiply 44.40 € by 4.4 = 195.36 €

# Packaging / palettization

Quantities and weights refer to a single reference per pallet.

Description	Reference		Order by pallet	Weight by pallet in Kg
	Right	Left		
<b>PLOUGHS</b>				
BAR 30 X 30	171207		100	650.00Kg
BAR 35 X 35	172330		100	750.00Kg
BAR POINT SHARE 14"	172418	172417	100	450.00Kg
BAR POINT SHARE 16"	172614	172613	100	500.00Kg
LANDSIDE BAR 80X10	172338		100	300.00Kg
LANDSIDE BAR N°3 120X12	172380		200	1 100.00Kg
COULTER FITTED	172324	172323	250	560.00Kg
REVERSIBLE HEEL N°3	172381		100	350.00Kg
REVERSIBLE HEEL RENF.	172303		100	350.00Kg
REVERSIBLE POINT 3 HOLES	173332	173331	300	600.00Kg
REVERSIBLE POINT 2 HOLES	177328	177327	300	600.00Kg
CARBIDE POINT	173558	173557	100	250.00Kg
B2 SHARE 14"	173424	173423	100	550.00Kg
B2 SHARE 16"	173614	173613	100	550.00Kg
B2 SHARE 18"	173802	173801	100	600.00Kg
B3 SHARE 14"	178124	178123	100	555.00Kg
B3 SHARE 16"	178126	178125	100	600.00Kg
TA SHARE 14"	177402	177401	100	600.00Kg
TA SHARE 16"	177602	177601	100	650.00Kg
SWORD LANDSIDE	173324	173323	500	400.00Kg
LANDSIDE POINT N°3 120X12	173388		100	500.00Kg
LANDSIDE POINT N°3 SHARE B3/TA	177319		100	500.00Kg
WEARING PLATE 120X12	177349		400	1 200.00Kg
CURVED SHINPIECE	173322	173321	200	480.00Kg
FLAT SHINPIECE E5H	173476	173475	250	570.00Kg
LONG SKIMMER SHARE	19126	19125	350	540.00Kg
SHORT SKIMMER SHARE	19114	19113	600	620.00Kg
MOULDBOARD MIXED SKIMMER	19172	19171	200	350.00Kg
MOULDBOARD UNIVERSAL SKIMMER	19122	19121	150	500.00Kg
<b>DISCS</b>				
DISC PLAIN 610X6 SQUARE 40	851000898		50	710.00Kg
DISC NOTCHED 610X6 SQUARE 40	851000798		50	650.00Kg
DISC PLAIN 660X6 SQUARE 40	851001098		50	870.00Kg
DISC NOTCHED 610X6 SQUARE 40	851000998		50	810.00Kg
DISC PLAIN 660X7 SQUARE 40	851001298		50	990.00Kg
DISC NOTCHED 610X6 SQUARE 40	851001198		50	920.00Kg

# MOULDBOARD

Wearing parts / Carbide parts



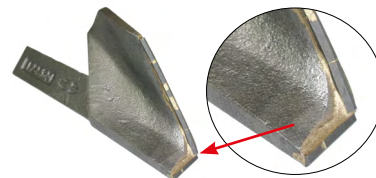
PLOUGHS



- Helicoidal Mouldboard
- Cylindrical Mouldboard
- Reversible heel
- Landside bar 80×10
- Landside bar 120×12
- Frog
- Coulter fitted
- Standard or Carbide bar 35 or 30
- Bar point share
- Share



01



02

## WEARING PARTS

References		Description	Body	€	Weight	Fixation	
Left	Right					Qty	Ref.
	171207	Bar 30X30	□ 30	48.42 €	5.10kg	1	VI2406
	172330	Bar 35X35	□ 35	49.76 €	6.90kg	1	VI2406
172417	172418	Bar Point Share 14"	□ 30 et 35	47.87 €	4.20kg	3	VI1008
172613	172614	Bar Point Share 16"	□ 30 et 35	49.11 €	4.82kg	3	VI1008
172813	172814	Bar Point Share 18"	□ 30 et 35	59.20 €	5.40kg	3	VI1008
172323	172324	Coulter Fitted	□ 30 et 35	41.73 €	1.95kg	-	VI2406
	172380	Landside Bar N°3 120X12	□ 30 et 35	54.39 €	5.30kg	2	VI1008
	172338	Landside Bar 80X10 Old	□ 30 et 35	44.22 €	2.60kg	2	VI1008
	172381	Reversible Heel (Landside N°3)	□ 30 et 35	31.74 €	3.60kg	1+1	VI1415+VJ630

## CARBIDE PARTS

References		Description	Body	€	Weight	Fixation		
Left	Right					Qty	Ref.	
	171208	Carbide Bar 30X30	□ 30	145.33 €	5.40kg	1	VI2406	
	172345	Carbide Bar 35X35	□ 35	220.49 €	4.68kg	1	VI2406	
01	172429	172430	Bar Point Carbide Share 14"	□ 30 et 35	174.93 €	4.90kg	3	VI1010
01	172615	172616	Bar Point Carbide Share 16"	□ 30 et 35	209.48 €	5.70kg	3	VI1010
02	CAR172323	CAR172324	Carbide Coulter Fitted	□ 30 et 35	137.60 €	2.00kg	-	-





## MOULDBOARD

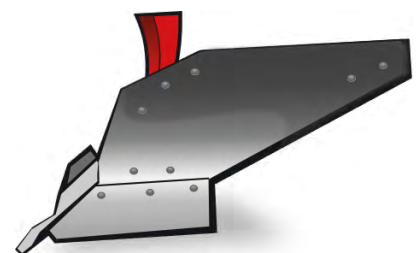
References		Description	Body	€	Weight	Fixation	
Left	Right					Qty	Ref.
172403	172404	American Mouldboard 14" 3Acn	□ 30 et 35	<b>220.49 €</b>	11.00kg	5+2+7	VI1701+1703+VJ338
172603	172604	American Mouldboard 16" 5Acn	□ 30 et 35	<b>312.30 €</b>	12.80kg	5+2+7	VI1701+1703+VJ338
172405	172406	Cyl. Mouldboard 14" C14N	□ 30 et 35	<b>255.02 €</b>	13.15kg	7+7	VI1701+VJ338
172457	172458	Cyl. Mouldboard 14" C14N (Boron)	□ 30 et 35	<b>175.89 €</b>	13.15kg	7+7	VI1701+VJ338
172605	172606	Cyl. Mouldboard 16" C16N	□ 30 et 35	<b>279.00 €</b>	14.50kg	7+7	VI1701+VJ338
172629	172630	Cyl. Mouldboard 16" C16N (Boron)	□ 30 et 35	<b>193.18 €</b>	14.50kg	7+7	VI1701+VJ338
172633	172634	High-Cyl. Mouldboard Cin (Boron)	□ 35	<b>359.08 €</b>	19.50kg	10+10	VI1701+VJ338
172407	172408	Flat-Cyl Mouldboard 14" P14N	□ 30 et 35	<b>231.86 €</b>	12.50kg	7+7	VI1701+VJ338
172607	172608	Flat-Cyl Mouldboard 16" P16N	□ 30 et 35	<b>257.62 €</b>	14.20kg	7+7	VI1701+VJ338
172339	172340	Hel. Mouldboard N°4 4Hn	□ 30 et 35	<b>278.31 €</b>	14.27kg	7+7	VI1702+VJ338
172449	172450	Hel. Mouldboard N°5 5Hn	□ 30 et 35	<b>278.31 €</b>	15.00kg	7+7	VI1702+VJ338
172459	172460	Hel. Mouldboard N°5 5Hn (Boron)	□ 30 et 35	<b>220.26 €</b>	15.00kg	7+7	VI1702+VJ338
172419	172420	Hel. Mouldboard N°8 8Hln	□ 30 et 35	<b>372.32 €</b>	21.00kg	7+2+9	VI1702+1703+VJ338
172431	172432	Helicoidal Mouldboard Ch8		<b>374.78 €</b>	16.00kg	7	VI1203

## REPLACEMENT MOULDBOARD

References		Description	Body	€	Weight
Left	Right				
172413	172414	Replacement Mouldboard Rac	□ 30 et 35	<b>165.04 €</b>	3.40kg
172427	172428	Replacement Mouldboard R4Hn	□ 30 et 35	<b>165.04 €</b>	3.40kg
172627	172628	Replacement Mouldboard Rcin	□ 35	<b>169.53 €</b>	3.72kg
172453	172454	Replacement Mouldboard R8Hln	□ 30 et 35	<b>165.04 €</b>	3.80kg

## SHARE REPLACEMENT PARTS

Ref.	Description	€	Weight
173362	Share Replacement Part Lg:485	<b>19.24 €</b>	2.02kg
173363	Share Replacement Part Lg:550	<b>22.09 €</b>	2.29kg
173364	Share Replacement Part Lg:620	<b>24.79 €</b>	2.59kg
173358	Share Replacement Part Lg:485	<b>12.33 €</b>	2.02kg
173359	Share Replacement Part Lg:550	<b>13.97 €</b>	2.29kg
173361	Share Replacement Part Lg:3M	<b>57.49 €</b>	12.50kg

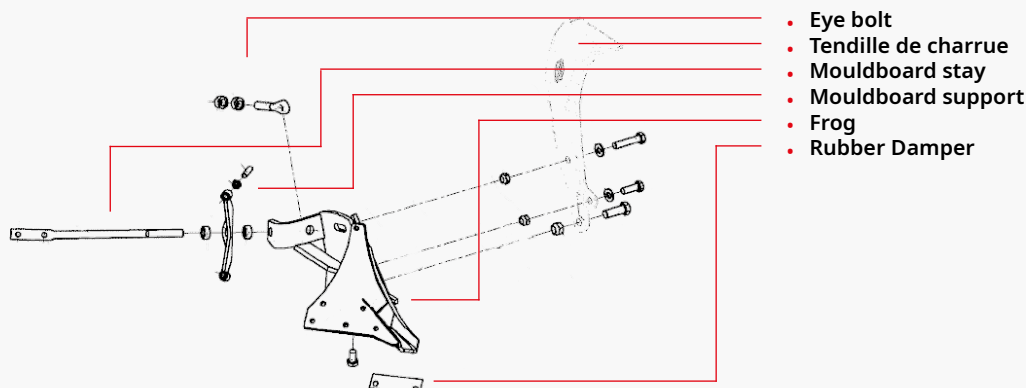


# MOULDBOARD

Structural parts of bar body / Mouldboard stay



PLOUGHS



## STRUCTURAL PARTS OF BAR BODY

References		Description	€	Weight	Fixation	
Left	Right				Qty	Ref.
	172425	Rubber Damper 35X45X4	1.21 €	0.01Kg	-	-
	172426	Rubber Damper 150X45X2	2.64 €	0.02Kg	-	-
	172304	Eye Bolt M22 11Mm Thick	19.31 €	0.35kg	2	VJ620
	172350	Eye Bolt M22 16Mm Thick	23.87 €	0.40kg	2	VJ620
	172421M/NO	Mouldboard Support (With Screw)	67.18 €	1.20kg	complet	
172383M/NO	172384M/NO	Support	274.86 €	2.88kg	-	-
	172331	Bolt Tfe M22X60/34 Old	15.17 €	0.26kg	1	VJ330
	173366	Bolt H M18X54 10.9 Z	6.89 €	0.15kg	1	VJ326
	173365	Bolt H M18X89 10.9 Z	8.30 €	0.21kg	1	VJ326
	173367	Bolt H M22X65 10.9 Z	21.61 €	0.27kg	1	VJ330
	173368	Special Washer 18,5X38X4	5.92 €	0.03kg	-	-
171211/NO	171212/NO	Frog Bar 30X30 3-Holes New	346.89 €	12.75kg	-	-
172365/NO	172366/NO	Frog Bar 35X35 3-Holes New	368.04 €	15.50kg	-	-

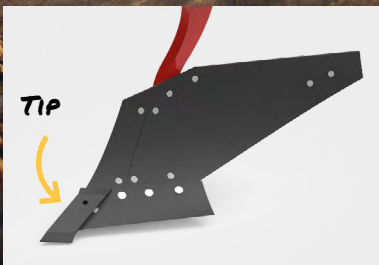
## MOULDBOARD STAY

References		Description	€	Weight
Left	Right			
172433/NO	172434/NO	Mouldboard Stay 5ACN Lg:405	34.01 €	1.15kg
172619/NO	172620/NO	Mouldboard Stay 3ACN Lg:480	34.01 €	1.37kg
172437/NO	172438/NO	Mouldboard Stay C14N Lg:500	34.01 €	1.43kg
172621/NO	172622/NO	Mouldboard Stay C16N Lg:560	34.01 €	1.61kg
172439/NO	172440/NO	Mouldboard Stay P14N Lg:500	34.01 €	1.43kg
172623/NO	172624/NO	Mouldboard Stay P16N Lg:560	34.01 €	1.61kg
172443/NO	172444/NO	Mouldboard Stay 4HN Lg:560	34.01 €	1.61kg
172451/NO	172452/NO	Mouldboard Stay 5HN Lg:610	34.01 €	1.76kg
172445/NO	172446/NO	Mouldboard Stay 8HLN Lg:500	34.01 €	1.43kg

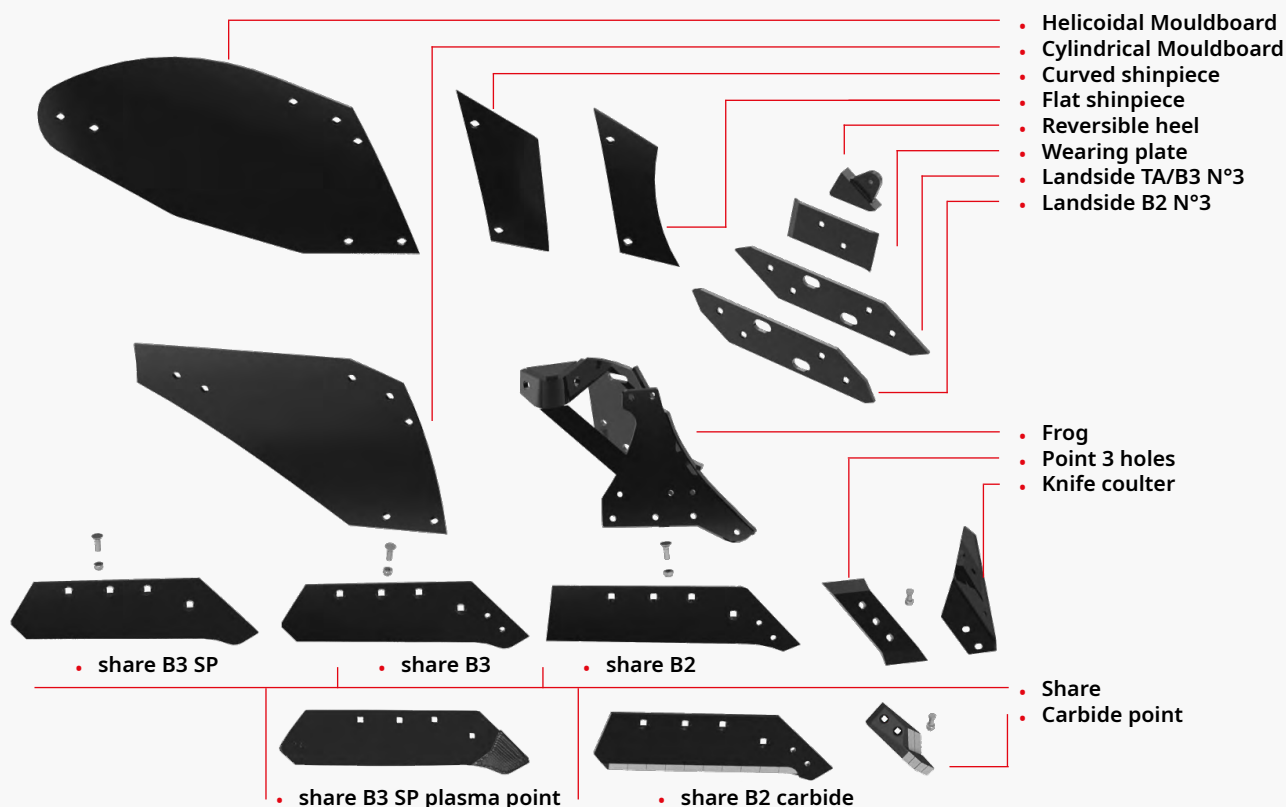




**BODY WITH  
BAR POINT**



**BODY WITH  
BOLT-ON POINT**



## WEARING PARTS

References		Description	Body	€	Weight	Fixation	
Left	Right					Qty	Ref.
173331	173332	Reversible Point 3-Holes	B2. B3. TA	12.44 €	1.86kg	2	VI1103
177327	177328	Reversible Point 2-Holes	B2. B3. TA	12.44 €	2.00kg	2	VI1103
173423	173424	Reinforced Share B2 14"	B2. B3	67.78 €	5.20kg	4	VI1012
173613	173614	Reinforced Share B2 16"	B2. B3	69.56 €	5.65kg	4	VI1012
173801	173802	Reinforced Share B2 18"	B2. B3	76.14 €	6.15kg	4	VI1012
173507	173508	Share M 14"	B2	88.67 €	4.68kg	3+3	VI1417+VJ337
178123	178124	Share B3 14"	B2. B3. TA	70.11 €	5.25kg	4	VI1012
178129	178130	Share B3 14" (Without Point)	B2. B3. TA	70.11 €	5.25kg	4	VI1012
178125	178126	Share B3 16"	B2. B3. TA	79.40 €	6.05kg	4	VI1012
178131	178132	Share B3 16" (Without Point)	B2. B3. TA	79.40 €	6.05kg	4	VI1012
178127	178128	Share B3 18"	B2. B3. TA	86.65 €	6.15kg	4	VI1012
177401	177402	Share Ta 14"	TA	81.07 €	6.10kg	4	VI1012
177601	177602	Share Ta 16"	TA	88.47 €	6.70kg	4	VI1012
173323	173324	Sword Landside Short	B2. B3. TA	26.89 €	0.78kg	2	VI1105
177347	177348	Sword Landside Long	B2. B3. TA	64.47 €	1.70kg	2	VI1105
173337	173338	Landside B2 Reinforced Share	B2	50.88 €	2.50kg	2	VI1008
	173388	Reversible Landside B2 N°3	B2. B3	47.40 €	4.90kg	2	VI1008
	177319	Reversible Landside B3-Ta N°3	TA.B3.D3	55.74 €	5.15kg	2	VI1008
	177349	Wearing Plate (Landside B2&Ta)	B2. B3. TA	24.59 €	3.12kg	1+1	VI1026+VK403

## CARBIDE PARTS

References		Description	Body	€	Weight	Fixation	
Left	Right					Qty	Ref.
173557	173558	Iron Carb Point	B2	90.09 €	2.40kg	2	VI1315
173433	173434	Carbide Share B2 14"	B2. B3	216.23 €	7.10kg	4	VI1012
173617	173618	Carbide Share B2 16"	B2. B3. TA	247.67 €	7.70kg	4	VI1012

# IRON CARB

## Plough point

*New technology*



Push back the limits of wear thanks to Grégoire Besson's know-how and innovation!

### **PROFILE OF THE SLIPPERY SUPPORT**

Eases the soil flow to slide and therefore avoids sticking and wear on a specific spot of the mouldboard.

### **POINT SUPPORT**

Forged and processed for a better resistance to abrasion.

### **FASTENING BOLT**

Incorporated fastening bolt to avoid breaking related to the wear.

### **AGGRESSIVE ANGLE OF ATTACK**

Favours a better soil penetration.

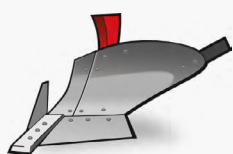
### **MAXIMUM PROTECTION**

Wafer positioning and angle choice provide the maximum protection for all peripheral components.

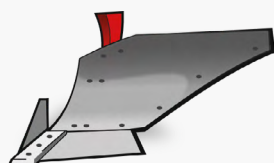


## Matching shinpiece share and mouldboard:

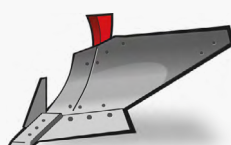
<b>173325/173326</b>	<b>Flat Shinpiece ESC</b>	<b>For American and Cylindrical mouldboard</b>
<b>173475/173476</b>	<b>Flat Shinpiece E5H</b>	<b>For AR4H and AR5H mouldboard</b>
<b>173461/173462</b>	<b>Flat Shinpiece E8HL</b>	<b>For AR8HLM mouldboard</b>
<b>173321/173322</b>	<b>Curved Shinpiece</b>	<b>For American and Cylindrical mouldboards</b>
<b>173473/173474</b>	<b>Curved Shinpiece H5</b>	<b>For AR4H and AR5H mouldboard</b>
<b>173345/173346</b>	<b>Flat Shinpiece ESP</b>	<b>For Cylindrical plats and TA8 mouldboard</b>
<b>177427/177428</b>	<b>Flat Shinpiece EH8</b>	<b>For H8 and H6 mouldboard</b>
<b>178103/178104</b>	<b>Flat Shinpiece E7</b>	<b>For E7 mouldboard</b>
<b>173115/173116</b>	<b>Flat Shinpiece EH8P</b>	<b>For Plastic mouldboard</b>



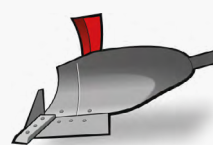
American mouldboard



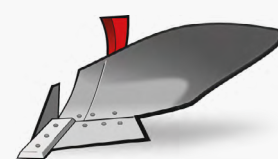
Top Cyl. mouldboard



Flat Cyl. mouldboard



E7 Mouldboard



Long helicoidal mouldboard

**Torque 45-50 Nm (max) for mounting mouldboard stays**

## MOULDBOARD

References		Description	Body	€	Weight	Qty	Fixation
Left	Right						
173401	173402	American mouldboard 14" 3AS	B2	208.97 €	9,50kg	5+2+7	VI1703+1701+VJ338
173601	173602	American mouldboard 16" 5AS	B2	235.42 €	11,58kg	5+2+7	VI1703+1701+VJ338
173403	173404	Cyl. mouldboard 14" C14S	B2	215.96 €	11,40kg	7+7	VI1703+VJ338
173479	173480	Cyl. mouldboard 14" C14S (Boron)	B2	153.23 €	11,40kg	7+7	VI1703+VJ338
173603	173604	Cyl. mouldboard 16" C16S	B2	245.56 €	12,98kg	7+7	VI1703+VJ338
173629	173630	Cyl. mouldboard 16" C16S (Boron)	B2	173.78 €	12,98kg	7+7	VI1703+VJ338
173405	173406	Flat-Cyl mouldboard 14" P14S	B2	206.10 €	10,94kg	7+7	VI1703+VJ338
173605	173606	Flat-Cyl mouldboard 16" P16S	B2	226.65 €	12,64kg	7+7	VI1703+VJ338
173439	173440	High-Cyl mouldboard CI	B2	327.84 €	21,00kg	7+7	VI1703+VJ338
173505	173506	Mouldboard N° M1FA C	B2, D9	357.22 €	13,50kg	2+2	VI2803+VI1702
173501	173502	Mouldboard HFA N°3 C	B2C	386.31 €	14,80kg	2+2	VI2803+VI1701
173509	173510	Plastic mouldboard H3	B2, D9	213.07 €	3,50kg	2+2+4	VI1415+1422+VJ336
173425	173426	Helicoidal mouldboard N°4 AR4H	B2, TA	261.93 €	13,30kg	6+6	VI1702+1703+VJ338
173481	173482	Helicoidal mouldboard AR4H (Boron)	B2, TA	208.49 €	13,30kg	6+1+7	VI1702+1703+VJ338
173435	173436	Helicoidal mouldboard N°5 AR5H	B2, TA	269.27 €	14,00kg	6+1+7	VI1702+1703+VJ338
173483	173484	Helicoidal mouldboard AR5H (Boron)	B2, TA	177.63 €	14,00kg	6+1+7	VI1702+1703+VJ338
173427	173428	Helicoidal mouldboard N°8 AR8HLM	B2	329.56 €	20,00kg	7+2+9	VI1702+1703+VJ338
173459	173460	Helicoidal mouldboard Ar8HLM (Boron)	B2	255.84 €	20,00kg	7+2+9	VI1702+1703+VJ338
173419	173420	Helicoidal mouldboard N°2 2HBSE	B2, TA	354.37 €	14,30kg	6+1+7	VI1702+1703+VJ338
173421	173422	Helicoidal mouldboard N°4 4HSE	B2, TA	283.52 €	14,85kg	6+1+7	VI1702+1703+VJ338
173469	173470	Helicoidal mouldboard N°5 5HSE	B2, TA	320.11 €	16,80kg	6+1+7	VI1702+1703+VJ338
177439	177440	Helicoidal mouldboard H6	TA	325.59 €	18,75kg	10+1+11	VI1702+1703+VJ338
177441	177442	Helicoidal mouldboard H6 (Boron)	TA	238.98 €	18,30kg	10+1+11	VI1702+1703+VJ338
173125	173126	Plastic mouldboard H6	TA	250.44 €	4,90kg	10	VI1414
177425	177426	Helicoidal mouldboard H8 nm	TA	328.88 €	18,80kg	10+1+11	VI1703+1701+VJ338
177435	177436	Helicoidal mouldboard H8 (Boron) nm	TA	238.98 €	18,60kg	10+1+11	VI1703+1701+VJ338
177403	177404	Helicoidal mouldboard TA8	TA	347.51 €	17,00kg	6+1+7	VI1702+1703+VJ338
177433	177434	Helicoidal mouldboard TA8 (Boron)	TA	252.45 €	17,00kg	6+1+7	VI1702+1703+VJ338
173119	173120	Plastic mouldboard H4	TA	248.34 €	5,00kg	8	VI1414
173111	173112	Plastic mouldboard H8	TA	274.22 €	4,85kg	2+8	VI1414+VI1422
178101	178102	European mouldboard E7	B3	133.17 €	16,50kg	11+11	VI1703+VJ338
178133	178134	Plastic mouldboard H43	B3	278.28 €	4,20kg	8	VI1414

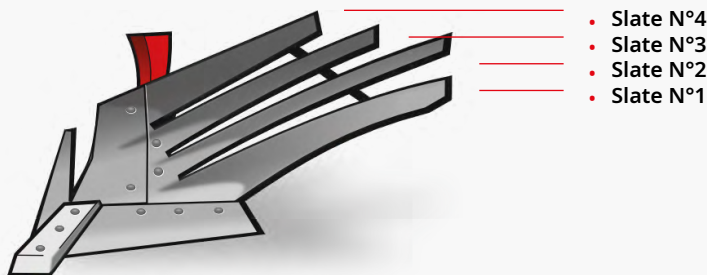
### SHINPIECE

References		Description	Body	€	Weight	Qty	Fixation	
Left	Right						Ref.	
173325	173326	Flat Shinpiece ESC	B2	57.00 €	1.81kg	2	VI1202	
173345	173346	Flat Shinpiece ESP	B2, TA	54.82 €	1.80kg	1+1	VI1203+VI1205	
173475	173476	Flat Shinpiece E5H	B2, TA	53.82 €	2.10kg	1+1	VI1203+VI1205	
CAR173475	CAR173476	Flat Shinpiece E5H Carbide	B2, TA	137.88 €	2.50kg	1+1	VI1203+VI1205	
173461	173462	Flat Shinpiece E8HI-B	B2, TA	60.04 €	1.85kg	2	VI1202	
173321	173322	Curved Shinpiece	B2	63.22 €	2.43kg	2	VI1202	
173473	173474	Curved Shinpiece H5	B2	62.47 €	2.55kg	1+1	VI1203+VI1205	
CAR173473	CAR173474	Curved Shinpiece H5 Carbide	B3	137.88 €	2.90kg	1+1	VI1203+VI1205	
177427	177428	Flat Shinpiece EH8 New	TA	59.59 €	1.85kg	1+1	VI1202+VI1203	
173115/NO	173116/NO	Plastic Shinpiece E	TA	66.81 €	1.20kg	1	VI1009	
178103	178104	Flat Shinpiece E7	B3	75.00 €	3.62kg	1+1+2	VI1709+VI1708+VJ338	

### MOULDBOARD EXTENSION

References		Description	Body	€	Weight	Qty	Fixation	
Left	Right						Ref.	
172311	172312	Amer-H4-H5-E7 Mouldboard Extension, L	B2,TA,B3	27.63 €	1.48kg	2	VI1204	
172347/NO	172348/NO	Cyl.-Cyl. Plat - Ci Mouldboard Extension, R	B2	29.08 €	1.80kg	2	VI1204	
177437/NO	177438/NO	H8-AR8HLM Mouldboard Extension	B2, TA	27.63 €	1.48kg	2	VI1204	

To fit an 8HN and AR8HLM mouldboard with an extension, provide an H8 bracket cable (177443) and 2 additional bolts (VI1203 + VI1205)

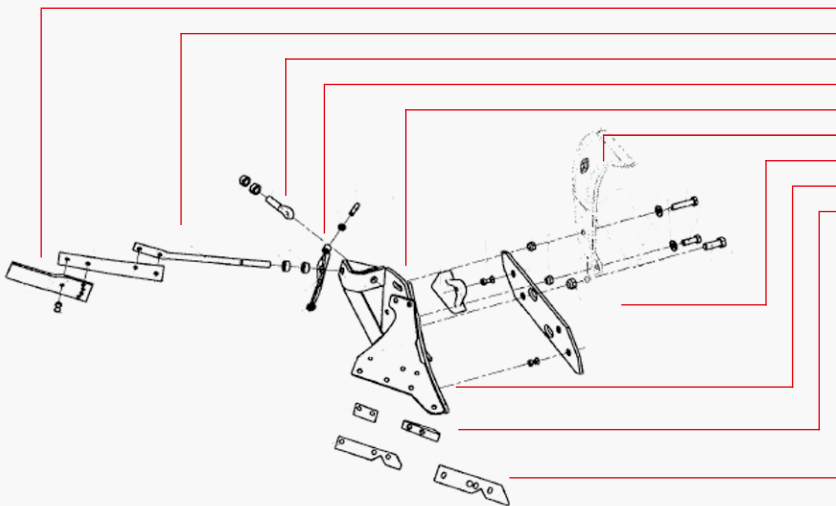


### B2 BODY CV

References		Description	Body	€	Weight	Qty	Fixation	
Left	Right						Ref.	
175415	175416	Slat N°4 Cylindrical GB4C	B2	152.98 €	2.70kg	2	VI1202	
176413	176414	Slat N°4 Long - Cyl. GB4L	B2	103.85 €	3.10kg	2	VI1202	
175419	175420	Slat N°3 Cylindrical GB3C	B2	152.98 €	2.90kg	2	VI1202	
176415	176416	Slat N°3 Long - Cyl. GB3L	B2	106.35 €	2.80kg	3	VI1202	
175423	175424	Slat N°2 Cylindrical GB4C	B2	152.98 €	3.20kg	2	VI1202	
176417	176418	Slat N°2 Long - Cyl. GB4L	B2	107.57 €	3.60kg	3	VI1202	
175427	175428	Slat N°1 Cylindrical GB4C	B2	152.98 €	3.00kg	2	VI1202	
176419	176420	Slat N°1 Long - Cyl. GB1L	B2	109.03 €	3.20kg	2	VI1202	
175401	175402	Flat Shinpiece CVS	B2	107.57 €	2.60kg	2	VI1202	

### B3 BODY CV7

References		Description	Body	€	Weight	Qty	Fixation	
Left	Right						Ref.	
178105	178106	Slat Cv7 N°4	B3 CV7	92.59 €	3.05kg	1+1+2	VI1709+VI1708+VJ338	
178107	178108	Slat Cv7 N°3	B3 CV7	87.86 €	2.72kg	1+1	VI1708+VJ338	
178109	178110	Slat Cv7 N°2	B3 CV7	102.13 €	2.75kg	1+1	VI1708+VJ338	
178111	178112	Slat Cv7 N°1	B3 CV7	160.38 €	6.47kg	3+3	VI1708+VJ338	
178113	178114	Flat Shinpiece CV7	B3 CV7	75.54 €	3.82kg	2+2	VI1708+VJ338	
CAR178113	CAR178114	Flat Shinpiece CV7 Carbide	B3 CV7	137.88 €	4.82kg	2+2	VI1708+VJ338	



- Mouldboard extension
- Mouldboard stay
- Eye bolt
- Mouldboard support
- Reversible heel
- Leg of plough
- Landside 120×12 for B2 or TA Body
- B2, B3 or TA frog
- Upper support wedge
- Rubber damper

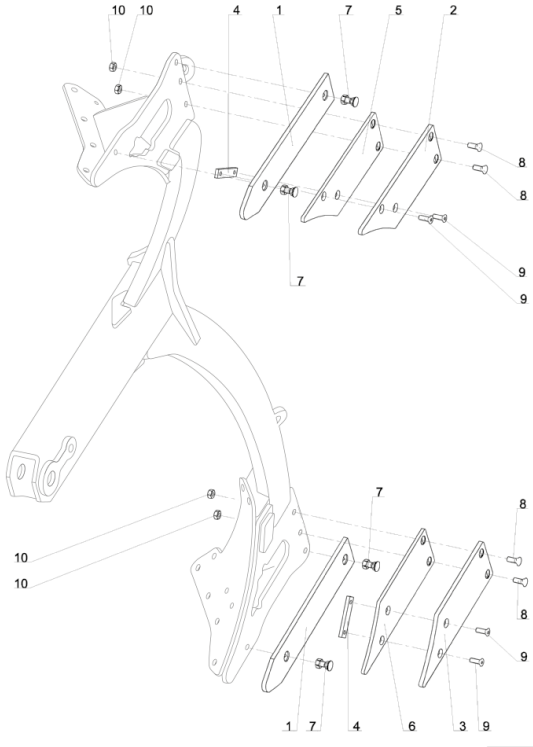
**Check the type of body (B2, B3, TA) to find the right reference.**

## STRUCTURAL PARTS OF POINT BODY

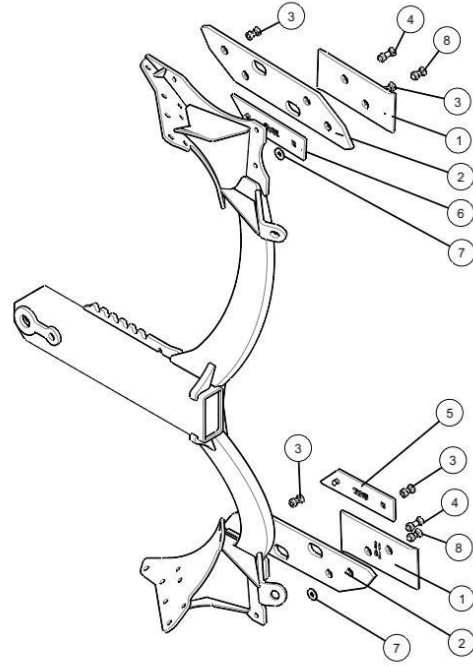
References		Description	€	Weight	Fixation	
Left	Right				Qty	Ref.
	172304	Eye Bolt M22 11Mm Thick	19.31 €	0.35kg	2	VJ620
	172350	Eye Bolt M22 16Mm Thick	23.87 €	0.40kg	2	VJ620
	172421M/NO	Mouldboard Support (With Screw)	67.18 €	1.20kg	complet	
	172331	Bolt Tfe M22X60/34	15.17 €	0.26kg	1	VJ330
	173366	Bolt H M18X54 10.9 Z	6.89 €	0.15kg	1	VJ326
	173365	Bolt H M18X89 10.9 Z	8.30 €	0.21kg	1	VJ326
	173367	Bolt H M22X65 10.9 Z	21.61 €	0.27kg	1	VJ330
	173368	Special Washer 18,5X38X4	5.92 €	0.03kg	-	-
173385/NO	173386/NO	Frog B2 3 Holes	335.43 €	13.80kg	-	-
177323/NO	177324/NO	Frog B2 3 Holes Std	422.70 €	16.65kg	-	-
178115/NO	178116/NO	Frog B2 3 Holes	335.43 €	17.00kg	-	-
	173396	Plastic Block (Mouldb. H5)	13.99 €	0.07kg	-	-
	173430	Upper Support Wedge (Mouldb. H5)	24.82 €	0.37kg	-	-
	173429	Rubber Damper 240X45X4	3.86 €	0.60kg	-	-
	173432	Rubber Damper 82X45X2	1.04 €	0.01kg	-	-



## D9 BODY



## D2 / D3 BODY



### SPECIAL LANDSIDE FOR D9 BODY - RW8 PLOUGH

References		Description	LAME	€	Weight	Fixation	Item n°	
Left	Right							
					<b>Qty</b>	<b>Ref.</b>		
1119842		Landside D9 RW8	B3	<b>42.46 €</b>	2.64kg	2	VI1008	D9 - 1
173337	173338	Landside B2 reinf	B2C	<b>50.88 €</b>	2.50kg	2	VI1008	-
1119850	1119851	Steel Landside D9	B3, B2C	<b>79.16 €</b>	2.04kg	2+2+2+1	VI1705+VI4905+VJ608+1119849	D9 - 5
1119849		Nut	B3	<b>9.70 €</b>	0.11kg	2	VI4905	D9 - 4

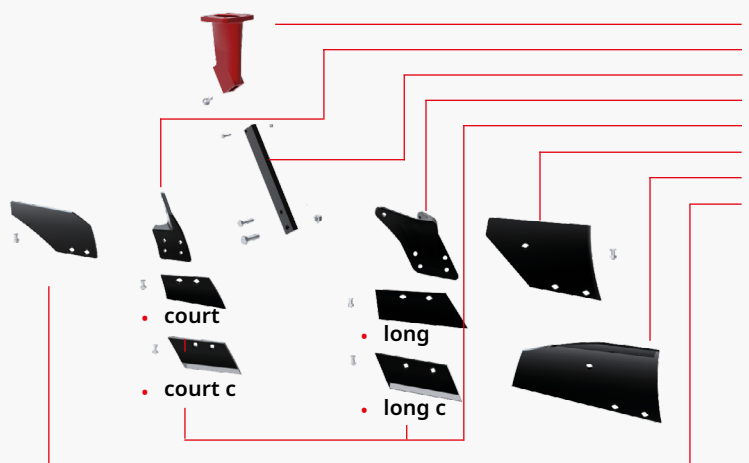
### SPECIAL LANDSIDE FOR D2 - D3 BODY

References		Description	LAME	€	Weight	Fixation	Item n°	
Left	Right							
						<b>Qty</b>	<b>Ref.</b>	
177349		Wearing plate	B2/B3	<b>24.59 €</b>	3.12kg	1+1	VI1008 + VI1026	D2/D3 - 1
177319		Landside B3-TA	B3	<b>55.74 €</b>	5.15kg	2	VI1008	D2/D3 - 2
173388		Landside B2	B2	<b>47.40 €</b>	4.90kg	2	VI1008	D2/D3 - 2
1120027	1120028	Frog protection D2/D3	B2/B3	<b>60.18 €</b>	1.06kg	1	VI1008	D2/D3 - 6

### MOULDBOARD STAY

References		Description	Body	€	Weight
Left	Right				
173443/NO	173444/NO	Mouldboard Stay 3AS Lg:405	B2	<b>34.01 €</b>	1.15kg
173621/NO	173622/NO	Mouldboard Stay 5AS Lg:480	B2	<b>34.01 €</b>	1.37kg
	173447/NO	Mouldboard Stay C12/14S Lg:500	B2	<b>34.01 €</b>	1.43kg
	173448/NO	Mouldboard Stay P12/14S Lg:500	B2	<b>34.01 €</b>	1.43kg
	173623/NO	Mouldboard Stay C/P16S Lg:560	B2	<b>34.01 €</b>	1.61kg
173453/NO	173454/NO	Mouldboard Stay AR4H Lg:560	B2	<b>34.01 €</b>	1.61kg
177413/NO	177414/NO	Mouldboard Stay AR4H Lg:530	TA	<b>34.01 €</b>	1.52kg
173467/NO	173468/NO	Mouldboard Stay AR5H Lg:610	B2	<b>34.01 €</b>	1.76kg
177421/NO	177422/NO	Mouldboard Stay AR5H Lg:610	TA	<b>34.01 €</b>	1.76kg
173455/NO	173456/NO	Mouldboard Stay AR8HLM Lg:500	B2	<b>34.01 €</b>	1.43kg
177423/NO	177424/NO	Mouldboard Stay AR8HLM Lg:500	TA	<b>34.01 €</b>	1.43kg
173449/NO	173450/NO	Mouldboard Stay 2HBSE Lg:560	B2	<b>34.01 €</b>	1.61kg
	177332/NO	Mouldboard Stay AR4H Lg:600 M20	TA, B3C	<b>62.01 €</b>	1.40kg
177415/NO	177416/NO	Mouldboard Stay TA8 Lg:540	TA	<b>34.01 €</b>	1.55kg
178117	178118	Lower Mouldboard Stay E7	TA, B3C	<b>45.03 €</b>	-
	177320/NO	Upper Mouldboard Stay Lg:520	TA, B3C	<b>57.91 €</b>	1.21kg
	177321/NO	Lower Mouldboard Stay Lg:700	B3, TA	<b>66.18 €</b>	1.65kg





- Skimmer support
- Skimmer short chair
- Upright skimmer
- Skimmer long share
- Long Skimmer share, long carbide, short, and short carbide.
- Universal skimmer mouldboard
- Pasture skimmer mouldboard
- Mixed skimmer mouldboard

## LONG SKIMMER SHARE (80 MM)

References		Description	€	Weight	Qty	Fixation Ref.
Left	Right					
19125	19126	Long Skimmer Share	23.08 €	1.39kg	2	VI1202
19197	19198	Carbide Long Skimmer Share	122.76 €	1.50kg	2	VI1202
19121	19122	Mouldboard Univ. Skimmer	48.95 €	3.55kg	3	VI1202
19001	19002	Euro Skimmer Share	38.32 €	1.32kg	2	VI1202
19003	19004	Euro Skimmer Mouldboard	35.38 €	2.40kg	2	VI1202

## SHORT SKIMMER SHARE (55 MM)

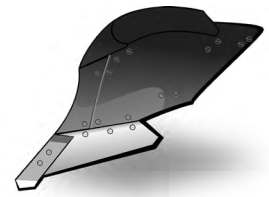
References		Description	€	Weight	Qty	Fixation Ref.
Left	Right					
19113	19114	Soc Rasette Court	20.48 €	0,95kg	2	VI1202
19195	19196	Soc Rasette Court Carbure	114.25 €	1,18kg	2	VI1202
19171	19172	Versoir Rasette Mixte	24.10 €	2,05kg	2	VI1202
19187	19188	Versoir Rasette Mais	60.92 €	3,00kg	2	VI1202

## SKIMMER SUPPORT AND LEG

References		Description	€	Weight	Qty	Fixation Ref.
Left	Right					
19175U/RO		Skimmer Support Moulded 150	136.21 €	4.30kg	4+4+2	VI3017+VJ323+VI2401
19176U/RO		Skimmer Support Moulded 160	151.03 €	5.35kg	4+4+2	VI3017+VJ323+VI2401
19177U/RO		Skimmer Support Moulded 170	165.51 €	6.20kg	4+4+2	VI3017+VJ323+VI2401
19178U/RO		Skimmer Support Moulded 180	196.66 €	7.00kg	4+4+2	VI3017+VJ323+VI2401
1119909		Skimmer Support RN 150	260.34 €	5.51kg	4+4+2	VI3022+VJ323+VI2401
1119910		Skimmer Support RN 160	281.17 €	6.00kg	4+4+2	VI3022+VJ323+VI2401
1119911		Skimmer Support RN 170	337.82 €	8.26kg	4+4+2	VI3022+VJ323+VI2401
1119891/RO		Skimmer Support R6 170	437.74 €	13.93kg	2+2	VI2408+VJ405
1119653/RO		Skimmer Support RC31 160 nm	274.66 €	7.50kg	2+2+2+2	VI2408+VJ405+VI3004+VJ323
1119999/RO		Skimmer Support 160 R6-R8	475.80 €	12.45kg	2+2	VI2408+VJ405
1119802/RO		Element Support BV8 SPER-B8	443.89 €	15.82kg	6+2	VI2401+VI3224
1119818/RO		Skimmer Support 170 D200	619.47 €	19.52kg	6+2	VI2401+VI3224
1119810		Flange (Skimmer Sup.) BV8	39.03 €	1.17kg		
1119892		Flange Skimmer R6-R8	33.23 €	0.26kg		
1119893		Flange (Skimmer Sup.) R6-R8	30.94 €	2.01kg		
19179		Skimmer Leg 40X20X345	60.09 €	2.05kg		
19186		Skimmer Leg 40X20X425	64.06 €	2.45kg		
19180		Skimmer Leg 45X20X330	58.21 €	2.35kg		
19185		Skimmer Leg 45X20X410	63.57 €	3.05kg	1+1+1+1	VI3107 + VJ324 + VI2909 + VJ322
19181	19182	Short Skimmer Frog	55.48 €	1.50kg		
19183	19184	Long Skimmer Frog	84.52 €	3.70kg		

## TRASHBOARD OF MOULDBOARD

References		Description	€	Weight	Fixation	
Left	Right				Qty	Ref.
19303/NO	19304/NO	Trashboard Std	77.69 €	2.70kg	2	VI1203
19321/NO	19322/NO	Trashboard H8-Ta-H5	82.90 €	3.41kg	3	VI1203
19313/NO	19314/NO	Trashboard CV7	82.46 €	3.51kg	2	VI1203
19323/NO	19324/NO	Nose Of Trashboard H8	32.70 €	1.13kg	1	VI1203
19329/NO	19330/NO	Nose Of Trashboard H5	53.91 €	0.88kg	1	VI1203



## DISC COULTER AND DIRECTOR

Ref.	Description	€	Weight	Qty	Fixation Ref.
19191	Plain Disc coultter 20" 5Holes	69.45 €	7.40kg	4+4	VI4001+VK503
19466	Disc Coultter Plain 20" 5H	155.39 €	7.40kg	5+5	VI2905+VJ322
19467	Disc Coultter Notched 20" 5H	73.75 €	6.10kg	5+5	VI2905+VJ322
19193	Disc Coultter Notched 22" 5H	103.73 €	7.40kg	5+5	VI2905+VJ322
1600107	Director Disc D800 Th:12Mm	687.68 €	47.00kg		
19473/RD	Kit Hub For Disc Coultter CCR99	514.35 €	6.67kg		



## ORIGINAL BOLTWORK GREGOIRE BESSON

### TFE SCREW

Ref.	Description	Packaging	€ (by unit)	Weight	Ecrou
VI1705	Screw TF2E 90° M11x30 10.9 1,50 Z	Box of 100	0.76 €	0.03kg	VJ338
VI1701	Screw TF2E 90° M11x35 10.9 1,50 Z	Box of 100	0.76 €	0.03kg	VJ338
VI1702	Screw TF2E 90° M11x40 10.9 1,50 Z	Box of 100	0.82 €	0.03kg	VJ338
VI1703	Screw TF2E 90° M11x45 10.9 1,50 Z	Box of 50	0.92 €	0.03kg	VJ338
VI1706	Screw TF2E 90° M11x50 8.8 1,50 Z	Box of 50	1.01 €	0.04kg	VJ338
VI1704	Screw TF2E 90° M11x55 10.9 1,50 Z	Box of 50	1.04 €	0.04kg	VJ338
VI1708	Screw TF2E 90° M11x38 10.9 1,50 Z	Box of 50	1.07 €	0.03kg	VJ338
VI1709	Screw TF2E 90° M11x43 10.9 1,50 Z	Box of 50	1.09 €	0.04kg	VJ338

### TFE BOLT AND NUT

Ref.	Description	Packaging	€ (by unit)	Weight
VI1202	Bolt TF2E 90° M11X30 E.Ord.	Box of 100	0.95 €	0.03kg
VI1203	Bolt TF2E 90° M11X35 E.Ord.	Box of 100	1.01 €	0.04kg
VI1204	Bolt TF2E 90° M11X40 E.Ord.	Box of 50	1.02 €	0.04kg
VI1205	Bolt TF2E 90° M11X50 E.Ord.	Box of 50	1.17 €	0.04kg



### TFCC BOLT AND NUT

Ref.	Description	Packaging	€ (by unit)	Weight
VI1003	Bolt TFCC M10X30 8.8	Box of 25	1.04 €	0.03kg
VI1008	Bolt TFCC M12X35 10.9 E.Ord.	Box of 25	1.54 €	0.05kg
VI1009	Bolt TFCC M12X40 8.8 E.Ord.	Box of 25	1.54 €	0.05kg
VI1010	Bolt TFCC M12X45 8.8 E.Ord.	Box of 25	1.81 €	0.06kg
VI1024	Bolt TFCC M12X60 8.8 E.Ord.	Box of 25	2.41 €	0.07kg
VI1012	Bolt TFCC M14X35 10.9 E.Ord.	Box of 25	1.91 €	0.08kg
VI1013	Bolt TFCC M14X40 8.8 E.Ord.	Box of 25	3.56 €	0.08kg
VI1015	Bolt TFCC M14X50 8.8 E.Ord.	Box of 25	5.02 €	0.09kg
VI1016	Bolt TFCC M14X60 8.8 E.Ord.	Box of 25	6.21 €	0.10kg



## TFCC SCREW

Ref.	Description	Packaging	€ (by unit)	Weight	Nut
VI1414	Screw TFCC M12X40 10.9 P:1,25 Z	Box of 100	<b>1.26 €</b>	0.04kg	VJ336
VI1415	Screw TFCC M12X45 10.9 P:1,25 Z	Box of 50	<b>1.67 €</b>	0.05kg	VJ336
VI1416	Screw TFCC M12X50 8.8 P:1,25 Z	Box of 25	<b>1.49 €</b>	0.05kg	VJ336
VI1417	Screw TFCC M14X40 10.9 P:1,50 Z	Box of 50	<b>1.54 €</b>	0.06kg	VJ337

## CONICAL BOLT AND NUT

Ref.	Description	Packaging	€ (by unit)	Weight
VI1102	Conical Bolt 1/2X35 12.9	Box of 25	<b>1.31 €</b>	0.05kg
VI1103	Conical Bolt 1/2X39 12.9	Box of 25	<b>1.32 €</b>	0.06kg
VI1105	Conical Bolt 1/2X45 12.9	Box of 25	<b>1.29 €</b>	0.06kg
VI1104	Conical Bolt 1/2X50 12.9	Box of 25	<b>1.85 €</b>	0.06kg
VI1107	Conical Bolt M12X39 12.9	Box of 25	<b>1.21 €</b>	0.05kg
VI1106	Conical Bolt M12X50 12.9	Box of 25	<b>1.46 €</b>	0.06kg



## H SCREW

Ref.	Description	Type de sécurité	€	Weight	Nut
VI2814	Screw H M10X70 8.8 Z	140 RG3	<b>1.22 €</b>	0.05kg	VJ321
VI2908	Screw H M12X45 8.8 Z GB	Rasettes	<b>2.16 €</b>	0.05kg	VJ322
VI2909	Screw H M12X45 10.9 Z GB	Rasettes	<b>2.16 €</b>	0.05kg	VJ322
VI2916	Screw H M12X70 8.8 Z	150 RG3-35-5	<b>1.45 €</b>	0.07kg	VJ322
VI2918	Screw H M12X80 8.8 Z	160 RG35-5	<b>1.70 €</b>	0.08kg	VJ322
VI3010	Screw H M14X70 8.8 Z	RC31-RC47	<b>4.79 €</b>	0.10kg	VJ323
VI3106	Screw H M16X50 8.8 Z GB	B4,B7,B9	<b>2.94 €</b>	0.11kg	VJ324
VI3107	Screw H M16X50 10.9 Z GB	B4,B7,B9	<b>2.94 €</b>	0.11kg	VJ324
1120013	Screw H M20x150 10.9 ZNBL		<b>12.15 €</b>	0.43kg	VJ328
1120014	Screw H M20x150 12.9 ZNBL		<b>14.74 €</b>	0.43kg	VJ328
1118356	Screw H M24X180 10.9 ZNBL	Caisson 120	<b>47.76 €</b>	0.73kg	VJ331
1118357	Screw H M24X210 10.9 ZNBL	Caisson 150	<b>54.52 €</b>	0.80kg	VJ331
1118358	Screw H M24X240 10.9 ZNBL	Caisson 180	<b>59.16 €</b>	0.88kg	VJ331



## NYLOC NUT

Ref.	Description	€	Weight
VJ321	Nyloc nut H M10	<b>0.29 €</b>	0.01kg
VJ338	Nyloc nut H M11	<b>0.72 €</b>	0.01kg
VJ322	Nyloc nut H M12	<b>0.54 €</b>	0.02kg
VJ336	Nyloc nut H M12X125	<b>0.83 €</b>	0.02kg
VJ323	Nyloc nut H M14	<b>0.79 €</b>	0.03kg
VJ337	Nyloc nut H M14X150	<b>1.17 €</b>	0.03kg
VJ324	Nyloc nut H M16	<b>0.99 €</b>	0.03kg
VJ327	Nyloc Nut H M20	<b>1.54 €</b>	0.06kg



## BALL BOLT

Ref.	Description	€	Weight
1291132	Bearing Lisse GE20ES 20X35X16	<b>20.65 €</b>	0.07kg
1118936	Bearing Lisse GE30ES 30X47X22	<b>48.67 €</b>	0.16kg
1118650	Bearing Lisse GE30GS 30X55X32	<b>69.17 €</b>	0.33kg
1116151	Bearing Lisse GE30HO 30X47X30	<b>65.91 €</b>	0.17kg
1116329	Bearing Lisse GE35ES 35X55X25	<b>72.55 €</b>	0.26kg
1116241	Bearing Lisse GE35HO 35X55X35	<b>84.94 €</b>	0.25kg
1114624	Bearing Lisse GE40HO 40X62X38	<b>96.99 €</b>	0.31kg
1123426	Bearing Lisse GE45HO 45X68X40	<b>107.96 €</b>	0.40kg
1114524	Bearing Lisse GE50DO 50X75X35	<b>59.48 €</b>	0.55kg
1113848	Bearing Lisse GE60DO 60X90X44	<b>130.59 €</b>	1.00kg
1122807	Upper Ball Ram Bearing Complete	<b>180.55 €</b>	1.00kg
1122805	Lower Ball Ram Bearing Complete	<b>180.55 €</b>	1.05kg



## TAPER ROLLER BEARING

Ref.	Description	€	Weight
19407	Taper Roller Bearing 35X65	68.75 €	0.53kg
VN30205	Taper Roller Bearing 25X52X16	18.91 €	0.16kg
VN30206	Taper Roller Bearing 30X62X17	22.49 €	0.26kg
19426	Taper Roller Bearing 34,9X65,1X18	41.11 €	0.15kg
VN30207	Taper Roller Bearing 35X72X18	29.63 €	0.40kg
VN30208	Taper Roller Bearing 40X80X20	36.12 €	0.43kg
VN32208	Taper Roller Bearing 40X80X25	36.23 €	0.60kg
VN30209	Taper Roller Bearing 45X85X21	32.24 €	0.50kg
VN33210	Taper Roller Bearing 50X90X32	45.56 €	0.85kg
VN30211	Taper Roller Bearing 55X100X23	50.82 €	0.70kg
VN32211	Taper Roller Bearing 55X100X27	53.89 €	0.90kg
VN32012	Taper Roller Bearing 60X95X23	71.97 €	0.61kg
VN32212	Taper Roller Bearing 60X110X30	79.16 €	1.23kg
VN30312	Taper Roller Bearing 60X130X33	82.73 €	2.00kg
VN30213	Taper Roller Bearing 65X120X25	83.66 €	1.08kg
1993118	Taper Roller Bearing 70X110X25	36.44 €	0.80kg
VN33015	Taper Roller Bearing 75X115X31	62.30 €	1.20kg
VN30215	Taper Roller Bearing 75X130X27	115.89 €	1.35kg
VN33017	Taper Roller Bearing 85X130X36	65.03 €	1.65kg
VN33019	Taper Roller Bearing 95X145X39	93.04 €	2.20kg
VN32219	Taper Roller Bearing 95X170X45.5	120.34 €	4.40kg
VN33022	Taper Roller Bearing 110X170X47	137.56 €	3.80kg
VN32024	Taper Roller Bearing 120X180X38	139.69 €	3.34kg
VN32028	Taper Roller Bearing 140X210X45	174.01 €	5.01kg



## BALL BEARING

Ref.	Description	€	Weight
VN6004	Ball Bearing 20X42X12	9.46 €	0.07kg
VN6205	Ball Bearing 25X52X15	22.23 €	0.13kg



## WEARING PLATE

Ref.	Description	€	Weight
1118977U	Plastic Plate 6X44X100	14.31 €	0.03kg
1118610U	Plastic Plate 6X80X200	27.49 €	0.10kg
1213113	Slide Plate For Sper7 Beam	56.49 €	0.65kg
1233269	Stop Washer 50X70X1 Z	2.60 €	0.02kg
1118818	Plastic Slide Rs9	16.96 €	0.10kg
1118803	Washer 35x52x1 Z	2.46 €	0.01kg
1114797	Washer 45x65x1 Z	3.01 €	0.01kg
1119833	Plastic Washer RW9	35.16 €	0.11kg
198203	Braking Washer For RI Wheel	82.61 €	0.05kg
122295	Special Washer 50,5X82X2	11.96 €	0.05kg
1116261	Special Washer 60,2X100X1 N	17.42 €	0.04kg
1223194	Special Washer 85,5X160X2	63.89 €	0.23kg
198828	Guide Wedge On RJLH Wheel	27.79 €	0.14kg

## STEEL PLATE

Ref.	Description	€	Weight
1116611	Rear Ring 30.5X45 Lg:26	14.27 €	0.17kg
122332	Rear Ring 35.5X50 Lg:6,5	11.04 €	0.05kg
1116328	Rear Ring 35.5X50 Lg:9	13.39 €	0.07kg
1116217	Rear Ring 35.5X50 Lg:13	14.27 €	0.16kg
1116220	Rear Ring 35.5 Lg:21,5	15.59 €	0.16kg
1116308	Rear Ring 5.5X50 Lg:28	15.59 €	0.22kg
1116947	Rear Ring 50.5X60 Ep16.5	17.75 €	0.11kg
1116948	Rear Ring 40.5X50 Ep10	15.04 €	0.05kg



## STEEL BUSH

Ref.	Description	€	Weight
1233310	Steel Bush 30X34 Lg:30 Pelt	72.13 €	0.04kg
198231	Steel Bush 34X30 Lg:30	13.38 €	0.04kg
1118947	Steel Bush 34X30 Lg:32	27.57 €	0.04kg
1116152	Steel Bush 34X30 Lg:50	35.69 €	0.07kg
1118817	Steel Bush 39X35 Lg:30	14.28 €	0.05kg
1233273	Steel Bush 39X35 Lg:30 Pelt	47.97 €	0.04kg
198521	Steel Bush 39X35 Lg:35	13.72 €	0.06kg
1116244	Steel Bush 39X35 Lg:50	35.95 €	0.09kg
1231103	Steel Bush 44X40 Lg:40	17.57 €	0.08kg
1114799	Steel Bush 45x49x45 PELT	90.30 €	1.08kg
M260039	Steel Bush 50x40x20	11.72 €	0.10kg
194856	Steel Bush 50X40 Lg:30	42.39 €	0.16kg
122296	Steel Bush 55X50 Lg:40	28.48 €	0.12kg
1233274	Steel Bush 55X50 Lg:40 Pelt	64.61 €	0.09kg
1115239	Steel Bush 70X60 Lg:60 Pelbh	122.92 €	0.43kg
1114805	Steel Bush 70x75x40 PELT	105.69 €	0.18kg



**PELT: montage pour charrue renforcée**



## BRONZE AND PERMAGLIDE BUSH

Ref.	Description	€	Weight
1116344	Bronze Bush 28X25X25	8.12 €	0.02kg
1114553	Bronze Bush 28X25X20	7.79 €	0.02kg
1118604	Bronze Bush 34X30X20	7.47 €	0.03kg
1118601	Bronze Bush 34X30X30	8.82 €	0.04kg
1993318	Bronze Bush 39X34X20	9.71 €	0.04kg
1118731	Bronze Bush 39X35X25	13.92 €	0.49kg
1118711	Bronze Bush 39X35X30	9.45 €	0.05kg
199055	Bronze Bush 44X40X20	7.32 €	0.04kg
1420217	Bronze Bush 44X40X30	21.17 €	0.06kg
1231143	Bronze Bush 44X40X40	18.47 €	0.08kg
1114539	Bronze Bush 45X50X25	16.10 €	0.08kg
1233272	Bronze Bush 50X45X40	37.68 €	0.10kg
122246	Bronze Bush 55X50X40	20.98 €	0.12kg
1114609	Bronze Bush 55X50X50	26.28 €	0.15kg
1116224	Bronze Bush 65X60X40	22.21 €	0.14kg
199208	Bronze Bush 75X70X40	24.32 €	0.15kg
1993308	Bronze Bush 85X80X40	61.38 €	0.23kg
1235131	Permaglide Bush 50X55X50	53.27 €	0.15kg
1222204	Permaglide Bush 55X50X60	33.66 €	0.18kg



## PLASTIC BUSH

Ref.	Description	€	Weight
850100886	Luytex Bush 48X40Mm - L:40Mm	33.29 €	0.03kg
1292125	Plastic Bush 93X86X50	38.55 €	0.06kg
1292228	Plastic Bush 93X86X80	64.88 €	0.08kg
12246	Plastic Bush 93X86X115	84.12 €	0.14kg
122231	Plastic Bush 93X86X120	76.62 €	0.14kg
1223156	Plastic Bush 320X301X40	232.37 €	0.42kg



## SHOCK ABSORBER

Ref.	Description	€	Weight
1993128	Silenbloc Rlbm-Rlbh R9	351.06 €	2.61kg
1993133	Silenbloc Rlbm-Rlbh	122.70 €	0.51kg
850100283	Damping Block D.100Mm Lg:100Mm	183.36 €	0.80kg

## SEAL KIT

Ref.	Description	€	Weight
131125	Seal 50X25 S200 S7	120.25 €	0,05kg
1221306	Seal 90X50 S360 Sphr9	147.87 €	0,05kg
1223409	Seal 100X45 S300 Spml9	201.27 €	0,11kg
1116171	Seal 100X50 S60 R4 New	201.27 €	0,10kg
1116180	Seal 100X50 S60 R4 New	201.27 €	0,10kg
1116616	Seal 110X50 S85 Rw4	140.60 €	0,15kg
1234111	Seal 125X50 S60	246.19 €	0,15kg
1116399	Seal 125X50 S100 Rw7	221.37 €	0,17kg
1233299	Seal 125X50 S110 Sper8	172.92 €	0,10kg
1116425	Seal 125X50 S60 Rw7	191.00 €	0,10kg
1233298	Seal 125X50 S80 Sper8	162.85 €	0,18kg
1116278	Seal 125X50 S60 R7 New	246.19 €	0,10kg
1233297	Seal 140X110 S140 Sper8	246.76 €	0,25kg
1235132	Seal 150X75 S110 Spe9	546.63 €	0,10kg
1231236	Seal Se80 Sm Carriage	105.46 €	0,05kg
1115240	Seal Kit De 140X70 S140 Hrp7	246.19 €	0,05kg
1114803	Seal Kit DE 140x70 C90	198.99 €	0,05kg

## SEAL KIT

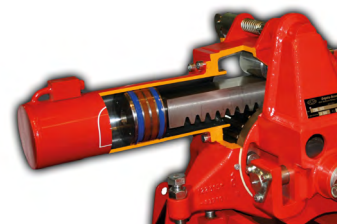
Ref.	Description	€	Weight
1122570	Seal Kit De 60X40 S255 Old	125.81 €	0,05kg
1122525	Seal Kit De 63X40	120.60 €	0,05kg
1122586	Seal Kit De 63X40 Black	120.60 €	0,05kg
1122544	Seal Kit De 80X40	129.40 €	0,05kg
1122597	Seal Kit De 80X40 Black	129.40 €	0,05kg
1222206	Seal Kit De 90X40 S300 Sper7	154.63 €	0,05kg
1123228	Seal Kit De 90X50 S50 Rh140	102.15 €	0,07kg
1123214	Seal Kit De 100X50 S351 Rh140	386.96 €	0,45kg
1122622	Seal Kit De 100X56 S230 Hrp9	173.61 €	0,05kg
1123215	Seal Kit Se 40X45 S30 Rh140	29.56 €	0,02kg
122211B	Seal Kit Se 125 Sm Old 7914	251.66 €	0,10kg
1222260	Seal Kit Se 150 Ram SM	341.37 €	0,10kg
1223118	Seal Kit Se 150 Vérin SM	183.84 €	0,10kg
1223204	Seal Kit Se 60 S260 SP9	90.49 €	0,05kg
1122457	Seal Kit Hyd. Box Isf2055	44.69 €	0,08kg
1123308	Seal Kit De 90X45 S300 Rh120	346.93 €	0,35kg

## O-RING

Ref.	Description	€	Weight
1222244	O-RING 8,9X1,9 / SPER7	3.13 €	0,01kg
1122593	O-Ring 8,9X2,7 / Dcar	1.49 €	0,01kg
1233270	O-Ring 35X2 / Sper8-VI	0.75 €	0,01kg
1233271	O-Ring 50X2,5 / Sper8-VI	1.17 €	0,01kg
1223198	O-Ring 60X2,5 / Spml9	142.17 €	0,01kg
1292310	O-Ring 101X3,5 / D:110	19.04 €	0,01kg
1122371	O-Ring 107X3,5 / D:115	2.82 €	0,01kg
1122372	O-Ring 120X3,5 / D:130	3.19 €	0,01kg
1123101	O-Ring 136X3,5 / D:145	18.14 €	0,01kg
1116735	O-Ring 140X3,5	2.44 €	0,02kg
1122373	O-Ring 158X3,5 / D:170	5.56 €	0,01kg
1123311	O-Ring 173X3,5	6.30 €	0,01kg
1123208	O-Ring 200X3,5	19.20 €	0,01kg

## SEAL KIT FOR WHEEL ARM

Ref.	Description	€	Weight
1993205	SEAL KIT 60X30 RLBH	118.40 €	0.05kg
1993203	Hyd. Flow Valve Seal	148.84 €	0.02kg
1993321	S. KIT 80X45 RCRH	211.18 €	0.02kg
198846	S. KIT 50X25 RJLH	62.92 €	0.04kg
198248	S. Kit Shock Abs. 50X20	55.05 €	0.03kg
1291146	S. Kit Shock Abs. 60X20	49.17 €	0.04kg
12160/GB	S. Kit Se65 S200 Sm	69.75 €	0.05kg
12357/GB	S. Kit Se85 Carriage	160.79 €	0.05kg
1231331	S. Kit Se105 Sper9	164.98 €	0.08kg
1233208	S. Kit Se125 Sper7	169.11 €	0.08kg



## SEAL KIT FOR SECURITY ARM Rack and pignon system

Ref.	Description	€	Weight
131645	S. Kit Se60 S250 Z11	110.65 €	0.03kg
131646	S. Kit Se70 S250 Z11	118.44 €	0.05kg
1118914	S. KIT 90X36 S90 RY	140.34 €	0.07kg
1119005	S. KIT 90X40 S140 RZ	140.36 €	0.05kg
1118919	S. KIT 100X36 S90 RY	148.81 €	0.08kg
1118985	S. KIT 100X40 S140 RZ	148.81 €	0.05kg
1118924	S. KIT 110X36 S90 RY	188.62 €	0.09kg
1118989	S. KIT 110X40 S140 RZ	186.62 €	0.05kg
1118993	S. KIT 125X40 S140 RZ	201.55 €	0.08kg



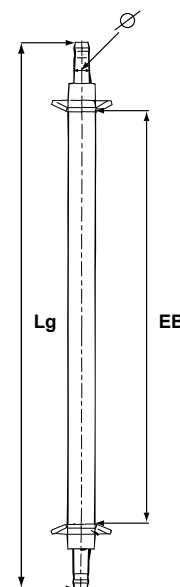
## HYDRAULIC RAM

Ref.	Description	€	Weight
198250	Shock Absorber RI93	331.28 €	2.70kg
1291166	Shock Absorber Rjr	331.28 €	3.20kg
199040	Shock Absorber Drl	356.12 €	2.65kg
1122747	Ram RHAD115 Dcar 80X40	1 163.17 €	17.25kg
1122746	Ram RHAD90 63X40	1 104.11 €	13.25kg
1116242	Ram De 125X50 S60	2 118.20 €	32.90kg
1116119	Ram De 100X50 S60	1 372.28 €	16.40kg
1119004	Ram Rz 90X40 S140	1 360.52 €	9.60kg
1118984	Ram Rz 100X40 S140	1 458.35 €	11.00kg

**Warning: the seal kit open not be recovering!**

## LIFT BAR

Ref.	Description	Dimensions	€	Weight
1121122	Lift Bar CAT2-L2	Lg:975 EB:660 ØN°2	270.22 €	12.60kg
1122338	Lift Bar CAT3-L2	Lg:975 EB:660 ØN°3	270.22 €	13.00kg
1122024	Lift Bar CAT2-L2	Lg:975 EB:730 ØN°2	270.22 €	12.60kg
1122025	Lift Bar CAT3-L2	Lg:975 EB:730 ØN°3	270.22 €	13.00kg
122118	Lift Bar CAT2 L2	Lg:1045 EB:660 ØN°2	284.87 €	13.10kg
122119	Lift Bar CAT3 L2	Lg:1045 EB:660 ØN°3	284.87 €	13.40kg
1122367	Lift Bar CAT2-L2	Lg:1045 EB:730 ØN°2	284.87 €	13.10kg
1122368	Lift Bar CAT3-L2	Lg:1045 EB:730 ØN°3	284.87 €	13.40kg
1122797	Lift Bar CAT2-L2	Lg:1045 EB:700 ØN°2	284.87 €	13.10kg
1122798	Lift Bar CAT3-L2	Lg:1045 EB:700 ØN°3	284.87 €	13.40kg
1122365	Lift Bar CAT2-L3	Lg:1185 EB:660 ØN°2	323.49 €	14.90kg
1122354	Lift Bar CAT2-L3	Lg:1185 EB:730 ØN°2	308.76 €	14.90kg
1122355	Lift Bar CAT3-L3	Lg:1185 EB:730 ØN°3	308.76 €	15.20kg
122146	Lift Bar CAT2 L3	Lg:1185 EB:800 ØN°2	308.76 €	14.90kg
122147	Lift Bar CAT3 L3	Lg:1185 EB:800 ØN°3	308.76 €	15.20kg
1122748	Lift Bar CAT2-L3	Lg:1185 EB:870 ØN°2	308.76 €	14.90kg
1122749	Lift Bar CAT3-L3	Lg:1185 EB:870 ØN°3	308.76 €	15.20kg



## PIN LINK

Ref.	Description	Dimensions	€	Weight
1123221	Top Link Pin 3Pt RH140	D:40 Lg:123mm	116.56 €	0.92kg
1122708	Top Link Pin 3Pt RHAD90-100	D:25 Lg:100mm	26.22 €	0.57kg
01 1122730	Top Link Pin 3Pt RH80 SPER7	D:25 Lg:115mm	26.22 €	0.62kg
1122717	Top Link Pin N°2 RHAD-SPER7	D:45 Lg:150mm	93.70 €	1.00kg
1122718	Top Link Pin N°3 RHAD-SPER7	D:45 Lg:150mm	90.94 €	1.19kg
122144	Top Link Pin 3Pts Quick C.	D:50 Lg:270mm	97.35 €	2.20kg
02 122154	Top Link Pin 3Pts D2/3 RHAD115	D:35 Lg:270mm	96.57 €	1.25kg
1122864	Lower Top Link Pin N°3 RHAS	D:36 Lg:163mm	77.88 €	1.28kg
1123631	Lower Top Link Pin N°3 RHS115	D:36 Lg:163mm	71.52 €	1.14kg
1122873/NO	Top Link Pin 3Pts RHAS 115	D:31 Lg:106mm	160.98 €	1.00kg
122145	Top Link Pin N°3-4 Quick C.	D:55 Lg:275mm	96.50 €	3.10kg
1123216	Suspension Pin RH140	D:30 Lg:199mm	99.09 €	1.50kg
1121106	Coupling Pin M130 N°2	D:35 Lg:145mm	63.43 €	0.60kg
1121245	Coupling Pin M140 N°2	D:35 Lg:148mm	68.90 €	0.70kg
122193	Sleeve Hitch 3N/4N	D:80x37 Lg:66,5mm	39.32 €	2.01kg
122194	Lower Pin D3	D:50 Lg:257mm	87.04 €	2.41kg
122197	Pin Quick C. Cat.3/4	D:30 Lg:270mm	121.48 €	2.30kg
122161	Socket For Quick Coupler N°3-4	D:50x36 Lg:75mm	51.94 €	0.56kg
1123630	Lower Pin N°2 RHS115	D:28 Lg:163mm	63.87 €	0.95kg
1123634	Pin RHS115 N°2	D:25 Lg:113mm	61.89 €	0.66kg
1420218	Pin Quick C. PSPW9 N°2-3	D:50 Lg:238mm	89.16 €	1.55kg
1420219	Pin Quick C. PSPW9 N°3	D:50 Lg:238mm	89.16 €	1.80kg
1123240	Top Link Pin 3Pts RH140 N4	D:45 Lg:123mm	151.49 €	1.83kg
1123241	Lower Link Pin RH140 N°4	D:50 Lg:195mm	227.58 €	2.89kg
122192	Lower Link Pin D4	D:50 Lg:257mm	92.25 €	2.85kg



## ADJUSTER SCREW

Ref.	Description	€	Weight
1121221	Adjuster Screw M18 Lg:180 Z	50.52 €	0.33kg
1122021	Adjuster Screw M22 Montée Old	61.58 €	0.60kg
1122315	Adjuster Screw M27 Lg:130 Z	64.32 €	0.75kg
1122374	Adjuster Screw M27 Lg:190 Z	79.91 €	0.99kg
VI4701	Adjuster Screw H M30X160 10.9 Z	54.24 €	1.10kg
1122376	Adjuster Screw M30 Lg:190 Z	84.09 €	1.10kg
1122868	Adjuster Screw M36X400 Old	89.64 €	1.45kg





## SHAFTS

Ref.	Description	Dimensions	€	Weight
1122334	Shaft Rh80	Ø 80 Lg:850mm	<b>711.71 €</b>	27.70kg
122251	Shaft Sp9	Ø 85 Lg:790mm	<b>801.80 €</b>	38.60kg
1122704	Shaft Rhad90	Ø 90 Lg:393mm	<b>616.59 €</b>	14.50kg
1122803	Shaft Rhad90-R35	Ø 90 Lg:805mm	<b>760.43 €</b>	34.20kg
1122002	Shaft Rh90	Ø 90 Lg:925mm	<b>789.29 €</b>	38.40kg
1123103	Shaft Rhad100	Ø 100 Lg:393mm	<b>721.33 €</b>	17.30kg
1122727	Shaft Rhad115	Ø 110 Lg:475mm	<b>969.52 €</b>	30.27kg
1122602	Shaft Hrp9	Ø 110 Lg:735mm	<b>1 037.16 €</b>	47.20kg
1122360	Shaft Rh110	Ø 115 Lg:335mm	<b>1 344.32 €</b>	63.00kg
1123306	Shaft Rh120	Ø 120 Lg:565mm	<b>1 177.30 €</b>	34.92kg
1123206	Shaft Rh140	Ø 140 Lg:605mm	<b>1 297.81 €</b>	48.62kg



## SHAFT CARRIER + SHAFT

Ref.	Description	€	Weight
1122702M/RO	Shaft carrier + shaft RHAD90	<b>1 705.84 €</b>	42.70kg
1123102M/RO	Shaft carrier + shaft RHAD/S100	<b>1 543.40 €</b>	43.55kg
1122701M/RO	Shaft carrier + shaft RHAD/S115	<b>2 254.21 €</b>	70.06kg
1123302M/RO	Shaft carrier + shaft RH120	<b>3 743.79 €</b>	104.50kg
1123202M/RO	Shaft carrier + shaft RH140	<b>4 930.66 €</b>	149.17kg
1123601M/RO	Shaft carrier + shaft RH615	<b>3 667.09 €</b>	93.12kg



## SPRINGS

Ref.	Description	€	Weight
1122310	Spring N°23	<b>21.61 €</b>	0.08kg
1993136	Spring lock wheel Rlbn-Rlbn	<b>68.02 €</b>	0.06kg
199248	Spring Lock Of Rlc Wheel	<b>37.79 €</b>	0.04kg
122123	Spring N°10	<b>21.61 €</b>	0.12kg
122224	Spring N°12Bis Transport Lock	<b>15.64 €</b>	0.15kg
1233111	Spring SPER7 Carriage New	<b>128.68 €</b>	1.17kg
1122102	Spring N°131 Bis Old Ram SE	<b>69.42 €</b>	1.20kg
1121234	Spring N°17	<b>9.68 €</b>	0.15kg
1121231	Spring N°18	<b>6.89 €</b>	0.02kg
1231213	Spring N°2101A SPER9 Carriage	<b>115.82 €</b>	1.70kg

## WELDED ROD

Ref.	Description	€	Weight
1118431	Welded Rod NS8	205.80 €	7.30kg
1118717	Welded Rod	294.07 €	6.40kg
1118605	Welded Rod	350.82 €	7.10kg
1119430/RO	Welded Rod	348.27 €	6.00kg
1119502/RO	Welded Rod	336.29 €	9.30kg
1118908	Welded Rod	254.08 €	5.90kg
1118903U	Welded Rod	253.16 €	3.49kg
1118998U	Welded Rod	339.06 €	4.32kg
RC87902/RO	Front Rod Z	291.40 €	5.12kg
1118975/RO	Front Rod RZ-RY12	129.30 €	4.25kg
400063	Safety Rod RN	322.56 €	9.30kg



## SAFETY DEVICE COMPONENTS

Ref.	Description	€	Weight
1118433	Spring Fixing NS8	45.49 €	0.73kg
1118514	Spring Fixing R6	45.49 €	0.73kg
VJ328	Nyloc Nut H M20X150	3.35 €	0.06kg
VJ331	Nyloc Nut H M24	4.28 €	0.11kg
VJ332	Nyloc Nut H M24X200	6.21 €	0.10kg
1118807	Spring Protection RS9	196.63 €	3.80kg
1118204	Spring N°125Bis BRS	138.32 €	1.52kg
1118210	Spring N°126 BRS	20.68 €	0.15kg
01 1112414	Ball Bolt Pivot NS8-R6	51.94 €	0.33kg
02 1118628	Ball Bolt Pivot RK	45.02 €	0.25kg
1118945	Ball Bolt Pivot RY10	99.71 €	0.55kg
03 1118930	Ball Bolt Pivot Y4-Y7-Y9	58.81 €	0.38kg
04 1119201	Ball Bolt Pivot Z. YZ. P and M	66.18 €	0.50kg
1118622	Allen Bolt M20X35 10.9	22.06 €	0.16kg
030692	Security Spring RN	505.87 €	19.30kg
305640	Articulation Ball RN	47.02 €	0.26kg



## HYDRAULIC COMPONENTS

Ref.	Description	€	Weight
05 1123112	Sequence Valve Ra6 R4-R7-RW7	884.88 €	3.38kg
1116400	Sequence Valve Ra6-2M-2M	1 681.30 €	5.32kg
06 1122456	Sequence Block Isf 2055	557.52 €	2.50kg
1123245	4 Functions Control Box RH140	1 611.89 €	6.37kg
1123113	Hyd. Hose 5/16 L1500 E12-45° - Mva18	98.33 €	0.83kg
1223198	O-Ring 60X2.5 / Spml9	142.17 €	0.03kg
1993322	Hydraulic Valve RCRH	701.72 €	2.62kg
1993202	Hydraulic Flow Valve 2 Functions RLBH	543.56 €	2.19kg



## PAINTING

Ref.	Description	€	Weight
180001	Red paint GB 1 Kg	44.60 €	1.30kg
180008	Red paint GB 5 Kg	177.81 €	5.60kg
180007	Black paint GB 1 Kg	40.47 €	1.30kg
WB002	Red aerosol GB 400ml	30.03 €	-
WB005	Black aerosol GB 400ml	30.03 €	-



## TYRES

Ref.	Description	Dimensions	€	Weight
198380	Tyre 10.0/75-12	Ø 680mm	<b>501.13 €</b>	21.60kg
12750/GB	Tyre 12.5/80-15.3 AW	Ø 880mm	<b>729.78 €</b>	40.00kg
12743/GB	Tyre 16.0/70-20 1115	Ø 1115mm	<b>1 812.13 €</b>	73.00kg
198344	Tyre 200/60X14.5	Ø 610mm	<b>433.07 €</b>	10.40kg
198253	Tyre 200/60X14.5 14Ply	Ø 610mm	<b>818.34 €</b>	11.00kg
198318	Tyre 700X12	Ø 540mm	<b>263.41 €</b>	9.40kg
198364	Tyre 320/60-12 TT	Ø 670mm	<b>599.38 €</b>	15.70kg
1993221	Pneumatique 320/60-12 TT	Ø 610mm	<b>758.04 €</b>	18.50kg

## COMPLETE WHEEL (TYRE + RIM)

Ref.	Description		€	Weight
198763	Complete Wheel 500/45-22.5 146A8	-	<b>2 329.58 €</b>	111.00kg
1993455	Complete Wheel 10.0/75-12	Rim 5 holes 680mm	<b>362.76 €</b>	28.00kg
198755	Complete Wheel 13.0/55-16 CN	Rim 6 holes	<b>960.98 €</b>	47.00kg
198713	Complete Wheel 16.0/70-20	Rim 6 holes 1115mm	<b>2 454.85 €</b>	100.00kg
198734D/G	Complete Wheel 16.0/70-20	Rim 8 holes 1115mm	<b>2 454.85 €</b>	98.00kg
198711	Complete Wheel 200/60X14.5	Rim 5 holes 610mm	<b>462.16 €</b>	24.00kg
198732	Complete Wheel 385/65 R22.5	Rim 8 holes 1070mm	<b>1 699.61 €</b>	110.00kg
198707	Complete Wheel 400/55-17.5 414	Rim 6 holes 880mm	<b>2 075.69 €</b>	74.00kg
198737D	Complete Wheel 400/55-22.5 Right	Rim 6 holes 1000mm	<b>2 239.03 €</b>	96.00kg
198737G	Complete Wheel 400/55-22.5 Left	Rim 6 holes 1000mm	<b>2 239.03 €</b>	96.00kg
198731	Complete Wheel 400/60-15.5 Els	Rim 6 holes 880mm	<b>1 375.86 €</b>	58.00kg
198710	Complete Wheel 600X9	Rim 5 holes 540mm	<b>405.06 €</b>	12.80kg
198709	Complete Wheel 700X12	Rim 5 holes 670mm	<b>896.04 €</b>	32.00kg
198606	Compl. Wheel Gr5 460X145X3.0	With hub 460mm	<b>473.27 €</b>	13.20kg
198761D/G	Compl. Wheel 17.5R/24 150 A8 8/0		<b>4 485.10 €</b>	144.00kg
1993216D/G	Compl. Wheel 320/60-12 12TI 132A8 5/0		<b>881.93 €</b>	32.34kg
198762D/G	Compl. Wheel 400/70-20 TI IT520 Gy 8/0		<b>3 448.56 €</b>	108.00kg
M610057D	Complete Wheel 11.5/80-15.3 Right		<b>730.69 €</b>	42.00kg
M610057G	Complete Wheel 11.5/80-15.3 Left		<b>730.69 €</b>	42.00kg

## RIM

Ref.	Description	€	Weight
198105	Rim 500X8 Hub 25Mm	<b>260.08 €</b>	3.80kg
198320	Rim 600X9 4H Old	<b>363.89 €</b>	8.00kg
198343	Rim 200/60X14.5 4H Old	<b>301.87 €</b>	12.70kg
198359	Rim 200/60X14.5 5H	<b>301.87 €</b>	10.80kg
198362	Rim 700X12 5H	<b>627.69 €</b>	14.00kg
1993455	Complete Wheel 10.0/75-12	<b>362.76 €</b>	7.80kg
12744/GB	Rim 16.0/70-20 6H	<b>581.23 €</b>	-

## PROFILS



Slick



Industrial



Road AW Radial



Road truck



Radial



Chevron

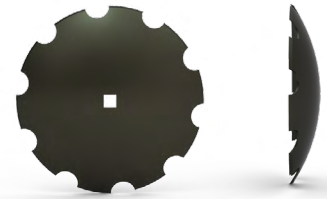


Tractor

NET PRICE ACCORDING TO QUANTITY. PLEASE CONSULT US.

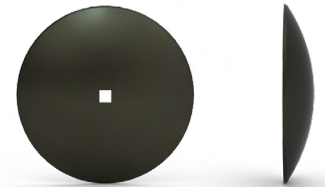
## STANDARD DISCS SQUARE 40

Ref.	Description	Ø	Epaisseur	€	Weight
851002398	Disc Plain C40+4H 510X3,5mm	510mm	3,5mm	Consult us	5,60Kg
851002298	Disc Notched C40+4H 510X3,5mm	510mm	3,5mm	Consult us	5,20Kg
851002098I	Disc Plain C40 510X4,3mm	510mm	4,3mm	Consult us	7,20Kg
851000498I	Disc Plain C40 560X4,5mm	560mm	4,5mm	Consult us	9,00Kg
851000398I	Disc Notched C40 560X4,5mm	560mm	4,5mm	Consult us	8,00Kg
851002598	Disc Plain C40+4H 560X4,5mm	560mm	4,5mm	Consult us	8,65Kg
851002498	Disc Notched C40+4H 560X4,5mm	560mm	4,5mm	Consult us	8,00Kg
851000898I	Disc Plain C40 610X6mm	610mm	6,0mm	Consult us	14,20Kg
851000798I	Disc Notched C40 610X6mm	610mm	6,0mm	Consult us	13,00Kg
851006198	Disc Notched C40+4H 610X6mm	610mm	6,0mm	Consult us	13,00Kg
851001098I	Disc Plain C40 660X6mm	660mm	6,0mm	Consult us	17,00Kg
851000998I	Disc Notched C40 660X6mm	660mm	6,0mm	Consult us	15,80Kg
851001298I	Disc Plain C40 660X7mm	660mm	7,0mm	Consult us	19,80Kg
851001198I	Disc Notched C40 660X7mm	660mm	7,0mm	Consult us	18,40Kg
851001398I	Disc Plain C40 660X8mm	660mm	8,0mm	Consult us	22,60Kg
851001698I	Disc Notched C40 660X8mm	660mm	8,0mm	Consult us	21,04Kg
851005798I	Disc Plain C40 710X7mm	710mm	7,0mm	Consult us	22,00Kg
851005898I	Disc Notched C40 710X7mm	710mm	7,0mm	Consult us	21,00Kg



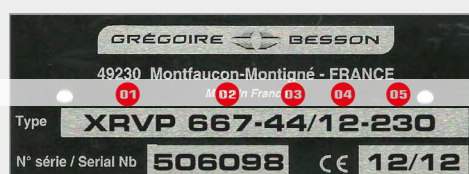
## STANDARD DISCS SQUARE 50

Ref.	Description	Ø	Epaisseur	€	Weight
851008098	Disc Plain C50 710X10mm	510mm	4,5mm	Consult us	7,20Kg
851005298	Disc Plain C50 660X7mm	660mm	7,0mm	Consult us	19,80Kg
851005198	Disc Notched C50 660X7mm	660mm	7,0mm	Consult us	18,40Kg
851005098	Disc Plain C50 660X8mm	660mm	8,0mm	Consult us	22,60Kg
851004998	Disc Notched C50 660X8mm	660mm	8,0mm	Consult us	21,00Kg
851003298	Disc Plain C50 710X7mm	710mm	7,0mm	Consult us	22,00Kg
851003398	Disc Notched C50 710X7mm	710mm	7,0mm	Consult us	21,00Kg
851003498	Disc Plain C50 710X10mm	710mm	10,0mm	Consult us	30,00Kg
851003598	Disc Notched C50 710X10mm	710mm	10,0mm	Consult us	28,50Kg
851001498	Disc Plain C50 760X8mm	760mm	8,0mm	Consult us	28,00Kg
851001798	Disc Notched C50 760X8mm	760mm	8,0mm	Consult us	27,00Kg
851006698	Disc Plain C50 810X10mm	810mm	10,0mm	Consult us	43,00Kg
851006598	Disc Notched C50 810X10mm	810mm	10,0mm	Consult us	40,00Kg



## Denomination of disc harrow machine:

- 01 Model, ex: XRVP
- 02 Dimension, ex: 660×7mm
- 03 Quantity of discs, ex: 44
- 04 Quantity of bearing, ex: 12
- 05 Spacer, ex: 230mm



## NET PRICE ACCORDING TO QUANTITY. PLEASE CONSULT US.

### FLAT PROFIL DISCS R740\*

Ref.	Description	Ø	Epaisseur	€	Weight
851007298	Disc 616 Notched C40 R740	610mm	6.0mm	<b>103.32 €</b>	13.00Kg
851007098	Disc 617 Notched C40 R740	610mm	7.0mm	<b>161.25 €</b>	15.00Kg
851007698	Disc 666 Plain C40 R740	660mm	6.0mm	<b>122.45 €</b>	17.00Kg
851007198	Disc 666 Notched C40 R740	660mm	6.0mm	<b>129.30 €</b>	15.80Kg
851007398	Disc 667 Plain C40 R740	660mm	7.0mm	<b>150.59 €</b>	19.80Kg
851006998	Disc 667 Notched C40 740	660mm	7.0mm	<b>162.22 €</b>	18.40Kg
851007598	Disc 668 Plain C40 R740	660mm	8.0mm	<b>183.09 €</b>	22.60Kg
851007498	Disc 668 Notched C40 R740	660mm	8.0mm	<b>192.02 €</b>	21.04Kg
851010498	Disc 717 Notched C40 R740	710mm	7.0mm	<b>229.32 €</b>	22.00Kg
851012798	Disc 717 Plain C40 R740	710mm	7.0mm	<b>214.51 €</b>	22.00Kg

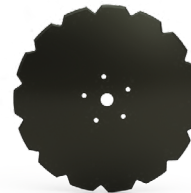
\* MONTAGE SUR : DISCOPAK ET PULVERISEUR EN PAS DE 195MM (à partir de 2007)



### ROLL'COUP\* DISCS

Ref.	Description	Ø	Epaisseur	€	Weight
12494I	Roll'Coup 630/7/40 Plain	630mm	7.0mm	<b>108.81 €</b>	15.50Kg
12495I	Roll'Coup 630/7/40 Notched	630mm	7.0mm	<b>112.21 €</b>	16.00Kg
11489I	Roll'Coup 680/7/40 Plain	680mm	7.0mm	<b>127.63 €</b>	20.00Kg
11490I	Roll'Coup 680/7/40 Notched	680mm	7.0mm	<b>132.11 €</b>	21.00Kg

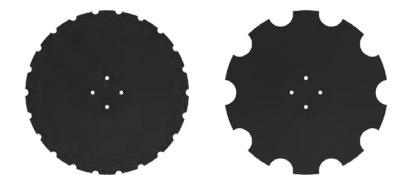
\* MONTAGE SUR : DISCOMIX ET ACERO K



### CREN'FLEX DISCS

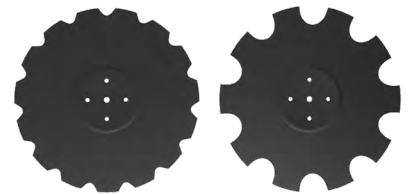
Ref.	Description	Ø	Epaisseur	€	Weight
851011798	Crenflex disc 620X6mm	620mm	6.0mm	<b>110.74 €</b>	13.97Kg
851012898	Crenflex disc 560X6mm	560mm	6.0mm	<b>98.25 €</b>	15.00Kg

\* MONTAGE SUR : DISCOFLEX



### NORMANDIE DISCS

Ref.	Description	Ø Ext.	Epaisseur	€	Weight
9031-13-29	Small notches disc 460X5	460mm	5.0mm	<b>68.15 €</b>	5.72Kg
21212	Small notches disc 510X5	510mm	5.0mm	<b>68.63 €</b>	7.83Kg
21566	Small notches disc 560X6	560mm	6.0mm	<b>74.05 €</b>	11.28Kg
23621	Big notches discs 560X6	560mm	6.0mm	<b>74.05 €</b>	11.10Kg



### OCCITAN DISCS

Ref.	Description	Ø Ext.	Epaisseur	€	Weight
34770	Small notches disc 618x6	618mm	6.0mm	<b>79.24 €</b>	13.10Kg
34772	Small notches disc 618x6	618mm	6.0mm	<b>79.24 €</b>	12.50Kg
34776	Flailed disc 568x6	568mm	6.0mm	<b>87.36 €</b>	8.30Kg



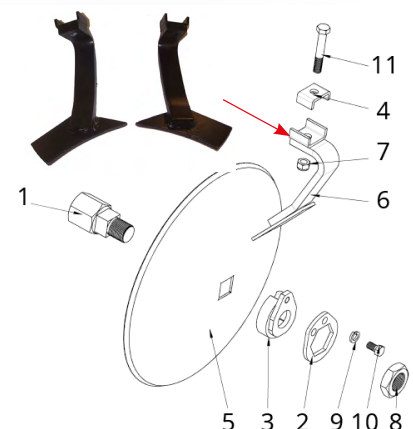
### FLAIL DISCS

Ref.	Description	Ø	Epaisseur	€	Weight
851004698	Flail disc 810X10 AV 4Trs	810mm	10.0mm	<b>509.34 €</b>	31.50Kg
851004798	Flail disc 810X10 AR 4Trs	810mm	10.0mm	<b>509.34 €</b>	31.50Kg
851012398	Flail disc TC50 710x10 Front	710mm	10.0mm	<b>486.20 €</b>	25.70Kg
851012498	Flail disc TC50 710x10 Rear	710mm	10.0mm	<b>486.20 €</b>	25.70Kg
851011598	Flail disc TC40 710x10 Front	710mm	10.0mm	<b>486.20 €</b>	25.70Kg



### DISC FOR NO PROJECTION

References	Description	€	Weight	Item n°
104073900/NO	Kit C40 Anti-Projection Disc	<b>231.96 €</b>	4.00kg	
108911200/NO	Adaptor For Anti Projec Disc	<b>101.49 €</b>	1.95kg	1
061303190	Nut Stopper 2 Positions	<b>29.28 €</b>	0.30kg	2
850102896/NO	Stopper Bush M40	<b>60.83 €</b>	1.48kg	3
851002098	Disc Plain C40 510X4,3mm	<b>68.35 €</b>	7.20kg	5
104057000	Anti-Projection Scraper Right	<b>57.02 €</b>	2.80kg	6
104057100	Anti-Projection Scraper Left	<b>57.02 €</b>	2.80kg	6
VJ324	Nyloc Nut H M16 DIN985	<b>0.99 €</b>	0.02kg	7
850111792	Nut M40X250 Th:21mm	<b>26.63 €</b>	0.40kg	8
VK305	Washer "Grower" 14	<b>0.63 €</b>	0.02kg	9
VI3002	Screw H M14X25 8.8	<b>2.36 €</b>	0.04kg	10
VI3115	Screw H M16X100 8.8	<b>4.10 €</b>	0.19kg	11



## PALIER FONTE C40MM - SPFC40

References	Description	€	Weight	Item n°
25050/NO	Complete bearing C40 NM *	<b>542.21 €</b>	17.50kg	-
25051	Bearing Body C40 AM	<b>180.15 €</b>	7.90kg	1
850103892/NO	Bearing Cover C40	<b>30.04 €</b>	1.58kg	2
850104292/NO	Bearing Flange Concave C40 230	<b>86.29 €</b>	3.50kg	5
104060990/NO	Bearing Flange Concave C40 195	<b>69.89 €</b>	2.00kg	5
850104192/NO	Bearing Flange Convex C40 230	<b>71.73 €</b>	2.50kg	6
850114292/NO	Bearing Flange Convex C40 270	<b>78.29 €</b>	2.75kg	6
104061090/NO	Bearing Flange Convex C40 195	<b>69.89 €</b>	2.00kg	6
850103899	Pvc-Seal For Bearing C40	<b>1.32 €</b>	0.01kg	9
850100180	Braid Seal 4003 (Meter)	<b>13.62 €</b>	0.02kg	10
850103799	Paulstra Seal 75X95X12	<b>12.20 €</b>	0.05kg	8
850103992	Cast Iron Bearing Hub C40	<b>118.82 €</b>	3.71kg	11
104001200/NO	Bearing Protection C40 AM	<b>60.91 €</b>	2.66kg	12
23873/NO	Bearing Protection C40 NM	<b>60.33 €</b>	2.66kg	12
VN32015	Taper Roller Bearing 32015	<b>56.28 €</b>	0.93kg	14

\* Delivered without flanges

## PALIER ACIER C50MM - SPAC50

References	Description	€	Weight	Item n°
850106192/NO	Complete Bearing C50*	<b>1 130.78 €</b>	30.65kg	-
104011300/NO	Bearing Body C50	<b>537.71 €</b>	13.90kg	2
104011590/NO	Bearing Cover C50	<b>191.26 €</b>	2.95kg	3
850107699	Paulstra Seal 95X120X12	<b>32.18 €</b>	0.05kg	7
850107599	Pvc-Seal For Bearing C50	<b>8.50 €</b>	0.01kg	8
850100180	Braid Seal 4003 (Meter)	<b>13.62 €</b>	0.02kg	9
850106392	Hub Bearing C50 L200mm	<b>319.21 €</b>	5.00kg	10
850113592	Hub Bearing C50 L250mm	<b>335.37 €</b>	6.20kg	10
104011390/NO	Bearing Protection Plate C50	<b>64.61 €</b>	2.35kg	1
VN32019	Taper Roller Bearing 32019	<b>116.88 €</b>	1.70kg	12

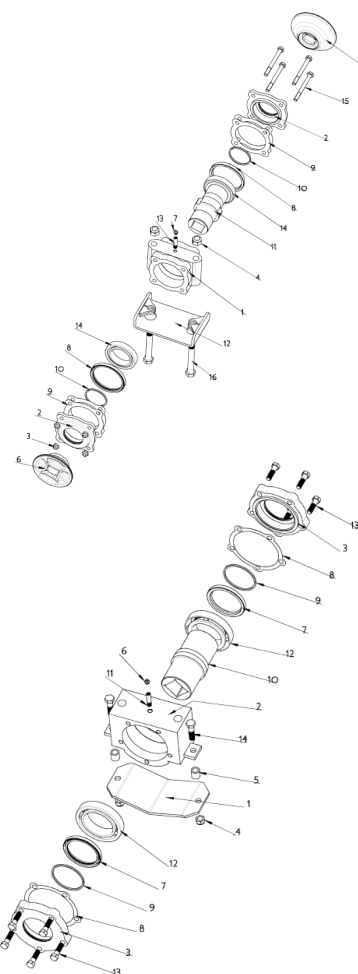
\* Delivered without flanges

## PALIER FEN240 49MM

References	Description	€	Weight
100408000	Complete Bearing FEN240	<b>226.41 €</b>	4,35kg
100403900	Bearing Housing Half FEN240	<b>37.75 €</b>	1,69kg
100404300	PVC Seal For Bearing FEN240	<b>4.55 €</b>	0,01kg
851000192	Bush For Bearing FEN240	<b>55.50 €</b>	0,05kg
851000299	Bearing FEN240	<b>90.29 €</b>	0,65kg

## PALIER FEN440 48MM

References	Description	€	Weight
104036000	Complete Bearing FEN440	<b>365.43 €</b>	4.80kg
850106792	Bush For Bearing FEN440	<b>68.07 €</b>	0.07kg
444400690	Rounded Protection Plate 8 Holes	<b>23.08 €</b>	0.57kg
444400590	Flat Protection Plate	<b>15.76 €</b>	0.44kg
444400490	Bearing Housing Half FEN440	<b>55.05 €</b>	1.40kg
850110399	Bearing FEN440 C40	<b>238.47 €</b>	1.00kg



## Paliers



• Palier FEN240 Ø49



• Palier FEN440 Ø48

## OSCILLATING BEARING UCP 213

References	Description	€	Weight
850107292	Complete Bearing UCP213	<b>79.42 €</b>	5.70kg

## OSCILLATING BEARING UGB 213 - INTENS +

References	Description	€	Weight
850114192/C	Complete UGB bearing	<b>466.53 €</b>	10.20kg
432800190	Bearing Body Ugb	<b>174.85 €</b>	4.96kg
432800290	Bearing Cover Ugb	<b>159.47 €</b>	4.96kg
851001999/C	Ball Bearing Ugb	<b>106.30 €</b>	2.30kg
851001899	O-Ring 102X3Mm	<b>0.56 €</b>	0.03kg
851001799	PVC Seal For Bearing UGB 213	<b>7.58 €</b>	0.03kg

## BEARING BTE/BTL

References	Description	€	Weight
6300939	Truerelub bearing C30 - 209	<b>87.74 €</b>	1.80kg
6300942	Bearing C40 TILLXTREME - 211	<b>216.59 €</b>	2.92kg
6300943	Bearing C40 TRUE RELUB - 211	<b>160.41 €</b>	2.92kg
6300945	Truerelub bearing C40 - 213	<b>219.33 €</b>	3.93kg
6300951	Bearing C30 TILLXTREME HD - 209	<b>119.81 €</b>	1.80kg
6300952	Bearing C40 TILLXTREME HD - 211	<b>244.68 €</b>	2.97kg
6300953	Bearing C40 TILLXTREME HD - 213	<b>274.75 €</b>	4.50kg

**TILLXTREME: Lifetime bearing greasing**

**TRUERELUB: Bearing assembly with grease nipple**

## BEARING FOR NORMANDIE

References	Description	€	Weight
9031-40-12	Normandie complete bearing	<b>198.99 €</b>	2.40kg
9031-01-32	Silentbloc front	<b>17.77 €</b>	0.29kg

## BEARING FOR OCCITAN

References	Description	€	Weight
33100	Large diameter bearing	<b>358.11 €</b>	4.50kg

## DISCOPAK SPECIAL PARTS

References	Description	€	Weight
21700/NO	Discomix bearing - 2 discs	<b>619.11 €</b>	22.50kg
061302200	Discopak C40 bearing shaft	<b>273.33 €</b>	6.75kg

## DISCOMIX SPECIAL PARTS

References	Description	€	Weight
21700/NO	Bearing Discomix 2 Dics	<b>619.11 €</b>	19.18kg
21730/NO	Bearing Discomix 3 Dics	<b>903.84 €</b>	19.18kg
25200	Complete bearing	<b>344.46 €</b>	5.00kg
25406	Rubber	<b>16.58 €</b>	0.51kg

## DISCOFLEX SPECIAL PARTS

References	Description	€	Weight
061306400/NO	Complete Bearing Dd Front 120	<b>954.45 €</b>	25.75kg
061306500/NO	Complete Bearing Dd Rear 120	<b>954.45 €</b>	25.75kg
061306600	Hub Jde120 Shaft Concave	<b>271.09 €</b>	11.64kg
061306700	Hub Jde120 Shaft Convex	<b>271.09 €</b>	11.64kg
061307090	Cap Bearing Jde120	<b>40.55 €</b>	0.35kg
851003599	Ball Bearing 5207	<b>61.92 €</b>	0.93kg
851004599	Tape Seal 75X48X14/17	<b>32.33 €</b>	0.35kg
060506890	Leaf 90X815mm Ep:25mm	<b>355.81 €</b>	13.72kg
060507090	Bracket 3 Holes	<b>67.41 €</b>	2.94kg
060506990	Lower Bracket 3 Holes	<b>87.81 €</b>	3.89kg

## REFLEX SPECIAL PARTS

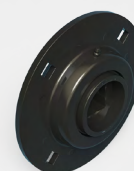
References	Description	€	Weight
061313500/NO	Bearing JDE110 Right/Front	<b>496.79 €</b>	19.20kg
061313600/NO	Bearing JDE110 Left/Rear	<b>496.79 €</b>	19.20kg



• UCP 213 Bearing



• UGB 213 Bearing



• BTE 944 / BTL 945 Bearing



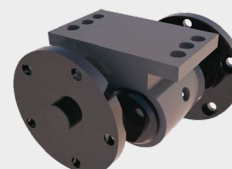
• Normandie Bearing



• Occitan Bearing



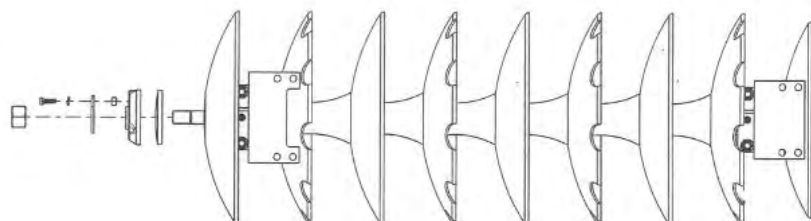
• Discopak / Discomix Bearing



• Discoflex / Reflex Bearing

## SHAFT SQUARE 40 (OTHER MODELS, CONTACT US)

References	Description	Long.	Pas (mm)	€	Weight
104103090/NO	Shaft F2 5 Discs	1090	230	<b>174.40 €</b>	13.00kg
104106790/NO	Shaft F2 5 Discs	1250	270	<b>200.00 €</b>	17.00kg
104109190/NO	Shaft F2 6 Discs	1170	195	<b>187.20 €</b>	14.70kg
104100890/NO	Shaft F2 6 Discs	1320	230	<b>211.20 €</b>	17.60kg
104101790/NO	Shaft F2 6 Discs	1520	270	<b>243.20 €</b>	20.00kg
104109090/NO	Shaft F2 7 Discs	1360	195	<b>217.60 €</b>	17.50kg
104100290/NO	Shaft F2 7 Discs	1550	230	<b>248.00 €</b>	19.50kg
104101990/NO	Shaft F2 7 Discs	1790	270	<b>286.40 €</b>	26.00kg
104109490/NO	Shaft F2 8 Discs	1555	195	<b>248.80 €</b>	20.00kg
104100190/NO	Shaft F2 8 Discs	1780	230	<b>284.80 €</b>	22.40kg
104101890/NO	Shaft F2 8 Discs	2060	270	<b>329.60 €</b>	26.00kg
104110890/NO	Shaft F2 9 Discs	1750	195	<b>280.00 €</b>	22.00kg
104100390/NO	Shaft F2 9 Discs	2010	230	<b>321.60 €</b>	25.00kg
104102290/NO	Shaft F2 9 Discs	2330	270	<b>372.80 €</b>	29.00kg
104111090/NO	Shaft F2 10 Discs	1940	195	<b>310.40 €</b>	24.50kg
104100490/NO	Shaft F2 10 Discs	2240	230	<b>286.72 €</b>	28.00kg
104106890/NO	Shaft F2 10 Discs	2600	270	<b>416.00 €</b>	32.50kg
104110990/NO	Shaft F2 11 Discs	2150	195	<b>344.00 €</b>	27.00kg
104100590/NO	Shaft F2 11 Discs	2470	230	<b>316.16 €</b>	31.00kg
104105190/NO	Shaft F2 11 Discs	2870	270	<b>459.20 €</b>	36.50kg
104108790/NO	Shaft F2 12 Discs	2345	195	<b>375.20 €</b>	30.00kg
104100690/NO	Shaft F2 12 Discs	2700	230	<b>345.60 €</b>	34.00kg
104109790/NO	Shaft F2 12 Discs	3140	270	<b>502.40 €</b>	39.50kg
104108890/NO	Shaft F2 13 Discs	2520	195	<b>403.20 €</b>	30.00kg
104100790/NO	Shaft F2 13 Discs	2930	230	<b>375.04 €</b>	37.00kg
104116390/NO	Shaft F2 13 Discs	3410	270	<b>436.48 €</b>	39.50kg



» To found the right shaft, please check the qty of discs and the spacer between the disc.

## COILS AND FOURNITURES FOR DISC GANGS

References	Description	€	Weight
851003897/NO	Spacer 195mm C40	<b>83.03 €</b>	7.90Kg
851003697/NO	Spacer 230mm C40	<b>87.84 €</b>	8.40Kg
851003797/NO	Spacer 270mm C40/50	<b>100.40 €</b>	9.00Kg
850104392	Nut H M40X250 Th:42mm	<b>20.17 €</b>	0.88Kg
851002497/NO	Concave Flange on Shaft End	<b>172.07 €</b>	3.45Kg
851002697/NO	Convex Flange on Shaft End	<b>129.95 €</b>	2.35Kg
061303190	Nut Stopper 2 Positions	<b>29.28 €</b>	0.30Kg

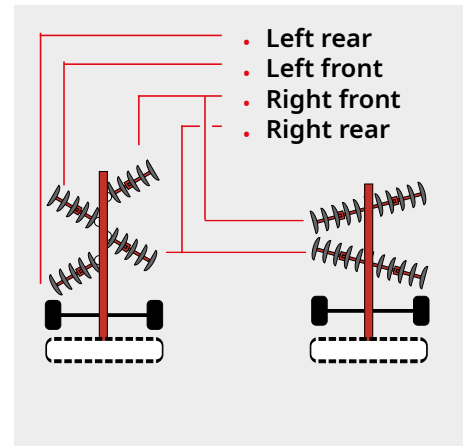
## U-BOLT

References	Description	€	Weight
850100577	U-Bolt M16 For 80X80mm	<b>20.93 €</b>	0.45kg
850100377	U-Bolt M16 For Beam 100X100	<b>18.67 €</b>	0.48kg
104000690	U-Bolt M16 For Beam 150X100	<b>21.28 €</b>	1.00kg
104000890	U-Bolt M16 For Beam 200X100	<b>35.84 €</b>	1.03kg
850100177	U-Bolt M20 For 100X150Mm	<b>30.46 €</b>	1.00kg
850100977	U-Bolt M16 For Beam 121X133Mm	<b>44.44 €</b>	1.55kg



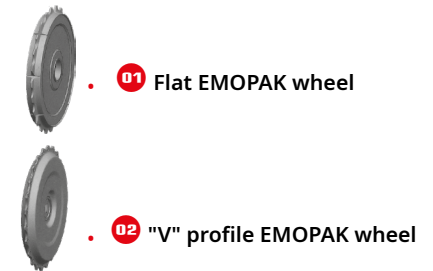
## SCRAPPER FOR DISC AND ROLLER

References	Description	€	Weight	Item n°
104037000	Scrapper 50X15 Left front & Right rear	52.17 €	3.05kg	1
104038000	Scrapper 50X15 Right front & Left rear	52.17 €	3.05kg	2
104075100	Scrapper 50X15 Left front & Right rear 195mm	52.17 €	2.80kg	
104075200	Scrapper 50X15 Right front & Left rear 195mm	52.17 €	2.80kg	
104039000/NO	Scrapper 70X15 Left front & Right rear	69.03 €	4.50kg	3
104040000/NO	Scrapper 70X15 Right front & Left rear	69.03 €	4.50kg	4
064000190	Discopak Scrapper Right Front	33.42 €	1.15kg	5
064000290	Discopak Scrapper Left Rear	33.42 €	1.15kg	6
061313290	Scrapper for No Proj. Rear Disc	80.95 €	1.29Kg	7
061313390	Scrapper for No Proj. Front Disc	80.95 €	1.29Kg	7
431800890	Emopak Scrapper	54.93 €	1.71kg	8
432700990	Emopak Scrapper pallet	22.25 €	0.73kg	9



## PARTS FOR EMOPAK ROLLER

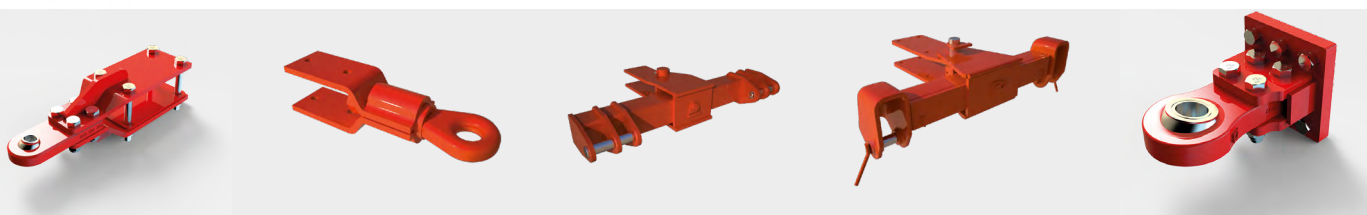
References	Description	€	Weight	Item n°
850108692/NO	Emopak Wheel V Profil 600mm	380.33 €	26.00kg	1
850107992/NO	Emopak Wheel Flat 600mm	412.29 €	23.70kg	2
850113092	Emopak Wheel V Profil 630mm	375.07 €	26.00kg	1
850112292/NO	Emopak Wheel V Profil 745mm	444.35 €	26.00kg	1
430302400/NO	Stopper Bush M40	60.83 €	1.26kg	
061303190	Nut Stopper 2 Positions	29.28 €	0.30kg	
850104392	Nut H M40X250 Th:42mm	20.17 €	0.88kg	



## HITCHES AND LINKAGE

References	Description	€	Weight	
RI1170/RO	Conical Hitch Ø35 6 holes	Contact us	-	01
RI1171/RO	Conical Hitch Ø45 6 holes	Contact us	-	01
RI1172/RO	Conical Hitch Ø55 6 holes	Contact us	-	01
RI1173/RO	Conical Hitch Ø55 6 holes	Contact us	-	01
RI1174/RO	Conical Hitch Ø35 8 holes	Contact us	-	05
RI1175/RO	Conical Hitch Ø45 8 holes	Contact us	-	05
RI1176/RO	Conical Hitch Ø55 8 holes	Contact us	-	05
RI1177/RO	Conical Hitch Ø65 8 holes	Contact us	-	05
RI1051/RO	Hitch Hook 2 Holes	Contact us	-	02
RI1052/RO	Hitch Hook 3 Holes	Contact us	-	02
RI1053/RO	Hitch Hook 4 Holes	Contact us	-	02
850103692/RO	Hitch Hook N18	351.02 €	-	02
RI1221/RO	Tractor Arms Hitch Cat 3 & 4	3 906.65 €	-	03
107203100/RO	Tractor Arms Hitch Cat 2	2 338.56 €	-	04

\* For the ring only contact us.



01

• Removable conical

02

• Bushing hitch D35

03

• Turning ring

04

• Arm hitch cat. 3N

05

• Ball Forged Hitch 8 holes

## BUSHES

References	Description	€	Weight
850100286	Wearing Bush 44X40mm L:40mm	<b>18.47 €</b>	0.08kg
850100986	Wearing Bush Pap 5040 P20	<b>20.98 €</b>	0.12kg
850100186	Wearing Bush Pap 8040 P10	<b>39.59 €</b>	1.00kg
850102086	Wearing Bush 105X100mm L:50mm	<b>136.95 €</b>	0.08kg
850100286	Wearing Bush 44X40mm L:40mm	<b>18.47 €</b>	0.08kg
850102886	Bronze Bush 65x60x60mm	<b>35.59 €</b>	1.08kg
850101186	Luytex Bush 30X36mm - L:25mm	<b>11.51 €</b>	0.01kg
850100886	Luytex Bush 48X40mm - L:40mm	<b>33.29 €</b>	0.02kg
850101086	Luytex Bush 50X58mm - L:50mm	<b>34.42 €</b>	0.04kg
850100586	Luytex Bush 60X70 - L:60mm	<b>34.79 €</b>	0.07kg
850100486	Luytex Bush 70X80mm - L:70mm	<b>36.41 €</b>	0.10kg
108100290	Luytex Bush 80X90mm - L:40mm	<b>71.74 €</b>	0.06kg
850100786	Luytex Bush 115X100mm - L:48mm	<b>159.89 €</b>	0.15kg
850102186	Steel Bush 40X48mm - L:40mm	<b>23.45 €</b>	0.04kg
850101886	Steel Bush 58X50mm - L:50mm	<b>28.67 €</b>	0.20kg
851001299	Bush 40X44X40	<b>12.63 €</b>	0.08kg



## SEAL KIT FOR HYD CYLINDER

References	Description	€	Weight
850106299	Seal Kit For Ram DE 100X50	<b>143.98 €</b>	0.20kg
850117399	Seal Kit For Ram DE 100X70	<b>204.24 €</b>	0.15kg
851006093	Seal Kit For Ram DE 150X65	<b>337.74 €</b>	0.15kg
850109899	Seal Kit For Ram DE 80X40	<b>97.61 €</b>	0.20kg
850109099	Seal Kit For Ram DE 90X70	<b>145.05 €</b>	0.20kg
850117899	Seal Kit For Ram 110X70	<b>295.20 €</b>	0.30kg
850118399	Seal Kit For Ram DE 100X40	<b>144.37 €</b>	0.10kg
850111599	Seal Kit For Ram DE 110X55	<b>295.20 €</b>	0.15kg
850118099	Seal Kit For Ram DE 125X55	<b>295.20 €</b>	0.23kg
851004699	Seal Kit For Ram DE 140X70	<b>303.06 €</b>	0.25kg
850116599	Seal Kit For Ram DE 60X30	<b>134.69 €</b>	0.10kg
850118199	Seal Kit For Ram DE 60X35	<b>110.36 €</b>	0.07kg
850503193	Seal Kit For Ram DE 70X35	<b>105.13 €</b>	0.09kg
850104399	Seal Kit For Ram DE 70X50	<b>115.85 €</b>	0.09kg
850107199	Seal Kit For Ram DE 80X45	<b>112.47 €</b>	0.10kg
851004899	Seal Kit For Ram DE 80X55	<b>136.16 €</b>	0.15kg
850109499	Seal Kit For Ram DE 90X55	<b>136.94 €</b>	0.20kg



**Warning: the seal kit open will be not recovering!**



## SUPPLIES FOR SQUARE AXLE 60

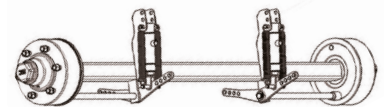
References	Description	€	Weight
851002394	Half Wheel Axle C60 6 Holes L:180Mm	<b>537.22 €</b>	16.70kg
1233203	Hole 6 Holes	<b>453.62 €</b>	8.40kg
1233218	Protection Washer 55X99X1,2	<b>9.68 €</b>	0.10kg
1233222	Protection Washer 55X112X1,2	<b>21.61 €</b>	0.20kg
VN30207	Taper Roller Bearing 35X72X18	<b>29.63 €</b>	0.40kg
VN30211	Taper Roller Bearing 55X100X23	<b>50.82 €</b>	0.70kg
1233219	Grease Retainer 55X100	<b>46.57 €</b>	0.05kg
1233204	Hub Wheel Cap M74	<b>28.07 €</b>	0.35kg
12708	Wheel Stud Assy M18X150X50	<b>12.35 €</b>	0.40kg



• Standard wheel axle

## SUPPLIES FOR SQUARE AXLE 70

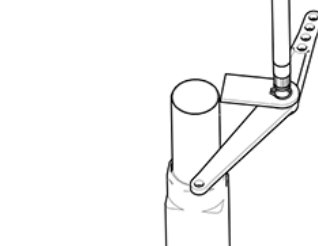
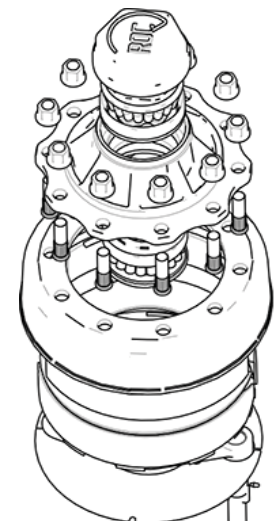
References	Description	€	Weight
851003094	Half Wheel Axle 706 L:180	<b>643.33 €</b>	21.00kg
850100390	Hub 6 Holes Axle 70Mm	<b>533.04 €</b>	7.90kg
850105799	Steel Flat Washer 120X65X4	<b>12.80 €</b>	-
1231340	Protection Washer 65X135X12	<b>25.28 €</b>	0.37kg
VN30209	Taper Roller Bearing 45X85X21	<b>32.24 €</b>	0.50kg
VN30213	Taper Roller Bearing 65X120X25	<b>83.66 €</b>	1.08kg
1231342	Nylos Seal 65X120mm	<b>53.17 €</b>	0.03kg
1231324	Hub Cap M86	<b>28.08 €</b>	0.35kg
12708	Wheel Stud Assy M18X150X50	<b>12.35 €</b>	0.40kg



• Full braked wheel axle

## SUPPLIES FOR SQUARE AXLE 80

References	Description	€	Weight
851010994	Half Axle 808 Nf L:300Mm	<b>696.99 €</b>	23.00kg
851006490	Complete Hub 808X S/E	<b>450.28 €</b>	19.90kg
1235144	Grease Retainer 75X130	<b>78.99 €</b>	0.05kg
VN30211	Taper Roller Bearing 55X100X23	<b>50.82 €</b>	0.70kg
VN30215	Taper Roller Bearing 75X130X27	<b>63.00 €</b>	1.35kg
1235143	Protection Washer 75X145X12	<b>30.82 €</b>	0.20kg
1235148	Hub Cap M101	<b>38.13 €</b>	0.55kg
12708	Wheel Stud Assy M18X150X50	<b>12.35 €</b>	0.40kg



• Braked wheel axle

## SUPPLIES FOR SQUARE AXLE 100

References	Description	€	Weight
850109692	Nut M22x1,5	<b>21.69 €</b>	0.16kg
850117692	Wheel stud M22 Lg:52/80mm	<b>12.30 €</b>	0.20kg
850109792	Wheel stud M22 Lg:51/66mm	<b>16.04 €</b>	0.22kg
850123492	Nut HK M85x200	<b>76.99 €</b>	-
850123592	Stop Pin	<b>4.59 €</b>	-
851005699	Hub Cap C100	<b>56.93 €</b>	0.43kg
851005799	Taper roller Bearing 32217	<b>138.62 €</b>	-
851005899	Seal 32217	<b>100.26 €</b>	-
851005999	Washer	<b>71.95 €</b>	-
851006099	Seal washer 32217	<b>18.21 €</b>	-
850102390	Hub 1010X 400x80C	<b>1 114.90 €</b>	-

# SUBSOILERS

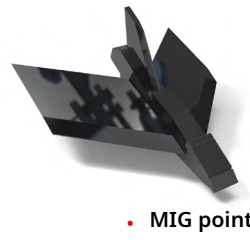
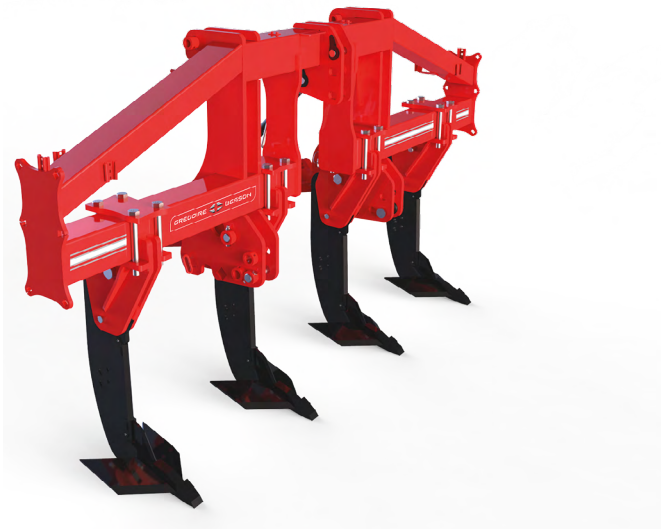
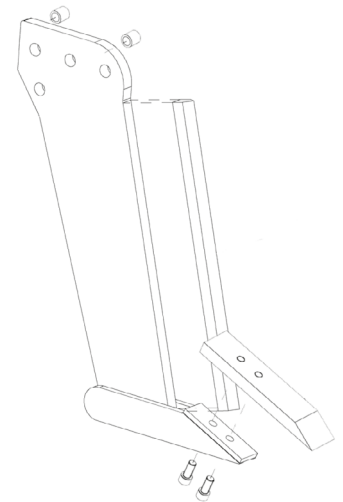
LD tine



TINE IMPLEMENTS

## PARTS FOR SUBSOILERS

Ref.	Description	€	Weight	Fixation	
				Qty	Ref.
M260010	Wearing Bush 30X21X16Mm	23.46 €	0,04Kg		
M260015	Wearing Bush 30X21X26Mm	25.92 €	0,07Kg		
M260020	Wearing Bush 30X21X31Mm	27.16 €	0,09Kg		
M260022	Bush 30X21X55Mm	31.44 €	0,15Kg		
M260023	Bush 30X21X60Mm	31.88 €	0,16Kg		
M330006	Subsoiler Coulter 800	115.76 €	8,00kg		
M330042/NO	Point 70X30	79.18 €	5,00Kg	2	VI4824
M330043/NO	Point 80X30	98.65 €	6,00Kg	2	VI4836
E6080050	Subsoiler Tine Support 800	101.33 €	8,00kg		
E6000061	Subsoiler Wing Share	119.16 €	4,00kg		



• MIG point



## LD tine

### PIECES POUR DENT "LOW DISTURBANCE"

References		Description	€	Weight	Item n°
Left	Right				
6640146_A/NO		LD Leg	465.59 €	24.60kg	2
6640149		LD Coulter Tine	251.26 €	2.82kg	13
6640361/NO		Mig Point 335Mm	239.26 €	10.50kg	17
6640335/NO		Mig Carbide Point 335mm	321.07 €	12.62kg	17
6640512		Mig Point Without Wing	180.10 €	8.00kg	-
6640513		Mig Carbid Point Without Wing	262.30 €	8.50kg	-
6640325		Steel Replacement	52.19 €	0.59kg	-
6640324		Carbide Replacement	85.34 €	0.67kg	-
M320128	M320127	Blade	16.44 €	1.14kg	11 + 12
VI3006		Screw H M14X50 8.8	3.21 €	0.08kg	9
VI3008		Screw H M14X60 8.8	5.92 €	0.09kg	14
VJ323		Nyloc Nut H M14	0.79 €	0.03kg	16
VK505		Washer Mu 14	0.77 €	0.01kg	15
VL224		Roll Pin 10X30mm	1.87 €	0.02kg	8
VI3708		Screw H M30X100 8.8	27.10 €	0.80kg	1
VJ334		Nyloc Nut H M30 DIN985	3.90 €	0.21kg	3
M260078		Wearing Bush 30,4X22,4X20	7.28 €	0.30kg	7
M260079		Wearing Bush 22,4X16,4X20	7.10 €	0.20kg	5
VI3112		Screw H M16X80 8.8	5.41 €	0.15kg	4
VJ324		Nyloc Nut H M16	0.99 €	0.02kg	6

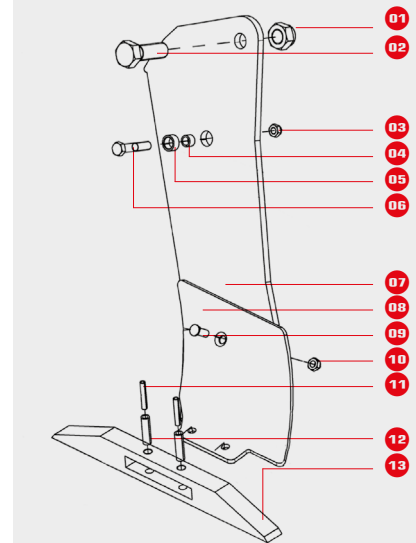
\* AVAILABLE FOR: HELIPLow LD, HELIOS LD

### PARTS FOR MICHEL TINE 900 EA 80\*

References		Description	€	Weight	Item n°
Left	Right				
M302041	M302040	Michel tine EA 80mm	<b>337.72 €</b>	23.60kg	7
M310053	M310052	Counter Blade 80mm	<b>80.28 €</b>	5.10kg	8
M320105		Reversible Share 80mm	<b>142.07 €</b>	7.20kg	13
VJ334		Nyloc Nut H M30 DIN985	<b>3.90 €</b>	0.21kg	1
M213018		Screw H M30X90 8.8	<b>9.03 €</b>	0.68kg	2
VJ323		Nyloc Nut H M14	<b>0.79 €</b>	0.03kg	3
VJ324		Nyloc Nut H M16	<b>0.99 €</b>	0.03kg	3
M260065		Bush Ø30,4X22,4X15mm	<b>7.60 €</b>	0.42kg	4
M260066		Bush Ø22,4X16X15mm	<b>7.42 €</b>	0.42kg	5
800600500		Screw H M14X80 10.9	<b>3.74 €</b>	0.11kg	6
VI3011		Screw H M14X80 8.8	<b>1.75 €</b>	0.11kg	6
VI3113		Screw H M16X80 10.9	<b>6.05 €</b>	0.11kg	6
VI3112		Screw H M16X80 8.8	<b>5.41 €</b>	0.15kg	6
WM211408		Screw H M14X40 8.8	<b>1.38 €</b>	0.10kg	9
VJ337		Nyloc Nut H M14X150	<b>1.17 €</b>	0.03kg	10
VL225		Roll Pin 10X60	<b>2.56 €</b>	0.02kg	11
VL230		Roll Pin 16X60	<b>3.72 €</b>	0.06kg	12

\* AVAILABLE FOR: HEЛИSEM, HELIOS (R), DISCODENT

### MICHEL tine 900

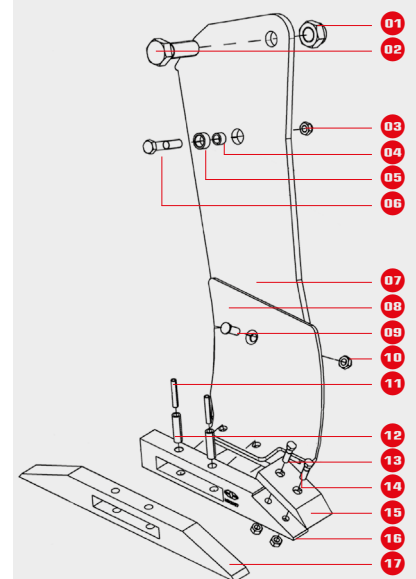


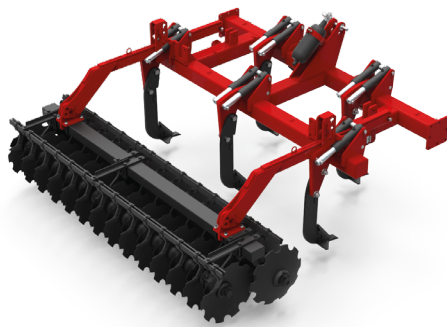
### PARTS FOR MICHEL TINE 900 EA 90\*

References		Description	€	Weight	Repère
Left	Right				
M302049	M302048	Michel tine EA 90mm	<b>337.72 €</b>	23.00kg	7
M310065	M310064	Counter Blade	<b>80.28 €</b>	4.50kg	8
M310072	M310071	Counter Blade	<b>113.16 €</b>	7.00kg	8
M320113		Reversible Point 90mm	<b>142.07 €</b>	7.20kg	17
M320117		Point Support 90mm	<b>187.26 €</b>	5.20kg	16
M320118		Point 2 Holes	<b>15.25 €</b>	1.40kg	15
M320124		Carbide Point 2 Holes	<b>72.19 €</b>	1.30kg	15
VJ334		Nyloc Nut H M30 DIN985	<b>3.90 €</b>	0.21kg	1
M213018		Screw H M30X90 8.8	<b>9.03 €</b>	0.60kg	2
VJ323		Nyloc Nut H M14	<b>0.79 €</b>	0.03kg	3
VJ324		Nyloc Nut H M16	<b>0.99 €</b>	0.03kg	3
M260065		Bush Ø30,4X22,4X15mm	<b>7.60 €</b>	0.42kg	4
M260066		Bush Ø22,4X16X15mm	<b>7.42 €</b>	0.42kg	5
M260078		Wearing Bush 30,4X22,4X20	<b>7.28 €</b>	0.56kg	4
M260079		Wearing Bush 22,4X16,4X20	<b>7.10 €</b>	0.56kg	5
800600500		Screw H M14X80 10.9	<b>3.74 €</b>	0.11kg	6
VI3011		Screw H M14X80 8.8	<b>1.75 €</b>	0.11kg	6
VI3113		Screw H M16X80 10.9	<b>6.05 €</b>	0.15kg	6
VI3112		Screw H M16X80 8.8	<b>5.41 €</b>	0.15kg	6
WM211408		Screw H M14X40 8.8	<b>1.38 €</b>	0.10kg	9
VJ337		Nyloc Nut H M14X150	<b>1.17 €</b>	0.03kg	10
VL225		Roll Pin 10X60	<b>2.56 €</b>	0.02kg	11
VL230		Roll Pin 16X60	<b>3.72 €</b>	0.06kg	12
VI1104		Conical Bolt 1/2X50 12.9	<b>1.85 €</b>	0.06kg	13
VI1103		Conical Bolt 1/2X39 12.9	<b>1.32 €</b>	0.06kg	14

\* AVAILABLE FOR : HELIPLow LM, HELIOS (SP) / ( R), DISCODENT

### MICHEL tine 900

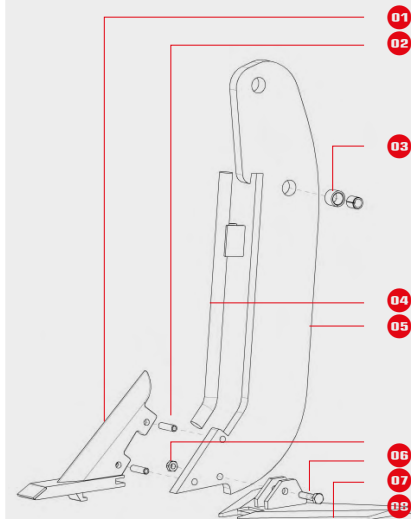




## NT TINE

References	Description	€	Weight	Item n°
20540/BK	NT Tine complete	<b>804.01 €</b>	14.50kg	
20348	NT Leg	<b>409.02 €</b>	22.36kg	5
23885	NT Shin	<b>95.76 €</b>	2.13kg	4
850108392	Carbide Share Discordon	<b>141.19 €</b>	4.72kg	1
107802500	Wing Share Short	<b>93.17 €</b>	2.45kg	8
107803700	Carbide Wing Share Short	<b>208.44 €</b>	2.65kg	8
25100	Wing large model	<b>134.27 €</b>	5.85kg	8
29200	Wing carbid large model	<b>436.39 €</b>	6.50kg	8
806301300	Spiral pin	<b>3.17 €</b>	0.02kg	2
VI2913	Bolt H M12X60 8.8 Z	<b>1.50 €</b>	0.06kg	7
VJ322	Nyloc Nut H M12	<b>0.54 €</b>	0.02kg	6

## NT tine



08



11



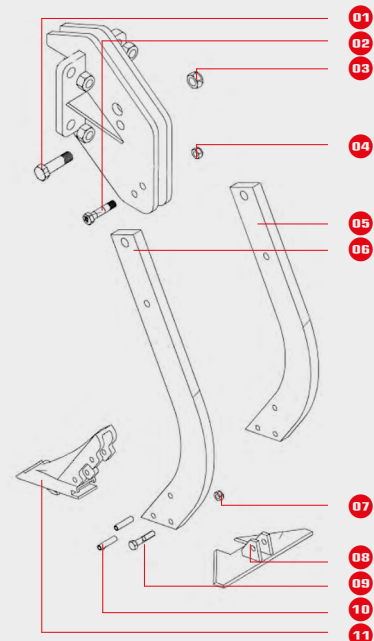
12

## PARTS FOR DISCORDON

References	Description	€	Weight	Item n°
107402890	Tine Long Model 740mm	<b>216.50 €</b>	12.20kg	6
107802390	Tine Short Model 650mm	<b>194.69 €</b>	11.10kg	5
107802500	Wing Share Short	<b>93.17 €</b>	2.45kg	8
107803700	Carbide Wing Share Short	<b>208.44 €</b>	2.65kg	8
25100	Wing large model	<b>134.27 €</b>	5.85kg	12
29200	Wing carbid large model	<b>436.39 €</b>	6.50kg	12
850108392	Carbide Share Discordon	<b>141.19 €</b>	4.72kg	11
806301300	Roll Pin 12X50mm	<b>3.17 €</b>	0.02kg	10
VI2913	Bolt H M12X60 8.8 Z	<b>1.50 €</b>	0.06kg	9
VJ322	Nyloc Nut H M12	<b>0.54 €</b>	0.02kg	7
107804590	Bolt H M14X70 8.8 Z	<b>5.58 €</b>	0.10kg	2
107808990	Bolt H M16X75 8.8 Z	<b>7.20 €</b>	0.10kg	2
VJ324	Nyloc Nut H M16	<b>0.99 €</b>	0.02kg	4
VJ323	Nyloc Nut H M14	<b>0.79 €</b>	0.03kg	4
107802890	Bolt H M22 10.9	<b>17.51 €</b>	0.30kg	1
VJ329	Nyloc Nut H M22 Z DIN985	<b>2.84 €</b>	0.08kg	3

MICHEL TINE FOR DISCORDON: SEE PAGE 37

## DISCODENT tine



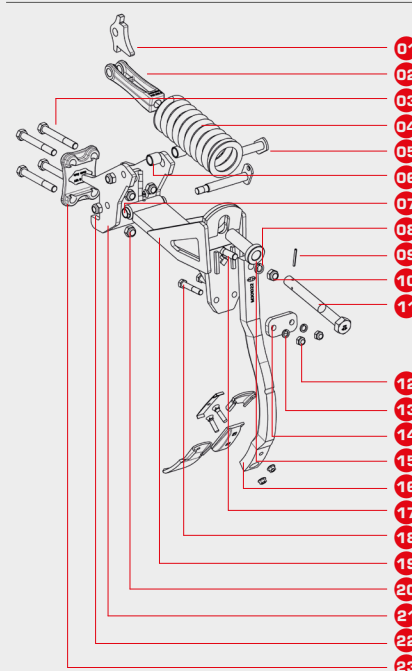
## EUROCHISEL TINE (BEFORE 2014)

References	Description	€	Weight	Item n°
6430121	Bracket for Frame	40.97 €	2.70kg	23
6430556	Socket M30 Eurochisel Tine	33.36 €	0.63kg	15
6920064	Spring Tensor Ng M30	104.44 €	2.20kg	2
6430434_B	Screw H M30X280 10.9 ZNBL	62.85 €	1.81kg	11
6430543_A	Spring Support	21.57 €	0.10kg	1
E5031002	Fixing Eurochisel Tine	472.87 €	17.00kg	19
E5031004	Axle	50.16 €	0.70kg	5
G2774/NO	Plate for Eurochisel Tine	12.64 €	0.65kg	14
M212035	Screw H M20X160 10.9 ZNBL	8.21 €	0.45kg	3
M230002	Screw Trcc M20X80 8.8 ZNBL	14.48 €	0.25kg	17
M260036	Steel Bush 30X25 Lg:25 PI	21.87 €	0.04kg	7
M301022	Eurochisel Tine 700	160.30 €	9.54kg	16
M301032	Eurochisel Tine 800	205.62 €	9.54kg	16
VJ327	Nyloc Nut H M20	1.54 €	0.06kg	10
M758709	Eurocult Spring support Ring	20.87 €	0.10kg	6
M670014	Eurochisel Spring 450Kg	223.94 €	8.00kg	4
VJ328	Nyloc Nut H M20X150	3.35 €	0.06kg	20
VI3114	Screw H M16x90 8.8 Z	4.12 €	0.17kg	18
VK307	Washer W16 Z	1.07 €	0.03kg	13
VJ324	Nyloc Nut H M16	0.99 €	0.02kg	12
VK310	Washer W20 Z	1.27 €	0.04kg	8
VL216	Roll Pin 6x60	0.75 €	0.09kg	9

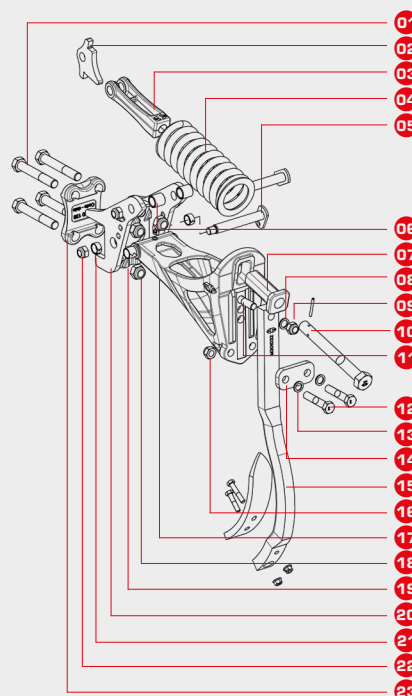
## EUROCHISEL TINE (FROM 2014)

References	Description	€	Weight	Item n°
6920138	Plate	62.58 €	2.70kg	23
6920065	Socket M30 Eurochisel Tine	34.05 €	1.04kg	7
6920064	Spring Tensor Ng M30	104.44 €	2.11kg	3
6430434_B	Screw H M30X280 10.9	62.85 €	1.64kg	10
6430543_A	Spring Support	21.57 €	0.10kg	2
6920063	Support For Frame	190.02 €	7.88kg	20
6920062	Fixing Eurochisel Tine	484.98 €	17.41kg	17
6434128	Axle	59.08 €	0.70kg	5
6433321	Tine Fixing	22.77 €	0.70kg	14
VI3512	Screw H M24x160 8.8 Z	25.77 €	0.68kg	1
VI3307	Screw H M20x80 8.8 Z	12.38 €	0.25kg	11
M260036	Steel Bush 30X25 Lg:25 PI	21.87 €	0.04kg	21
M301022	Eurochisel Tine 700	160.30 €	9.54kg	15
M301032	Eurochisel Tine 800	205.62 €	9.54kg	15
VJ327	Nyloc Nut H M20	1.54 €	0.06kg	16+22
M758709	Eurocult Spring support Ring	20.87 €	7.00kg	6
M670014	Eurochisel Spring 450Kg	223.94 €	8.00kg	4
VJ331	Nyloc Nut H M24	4.28 €	0.11kg	18
VI3310	Screw H M20x100 8.8 Z	12.84 €	0.30kg	12
M246120	Washer Norlock M20	6.47 €	0.01kg	13
M260069	Steel Bush 30x25x15	21.07 €	7.88kg	21

## Eurochisel 1

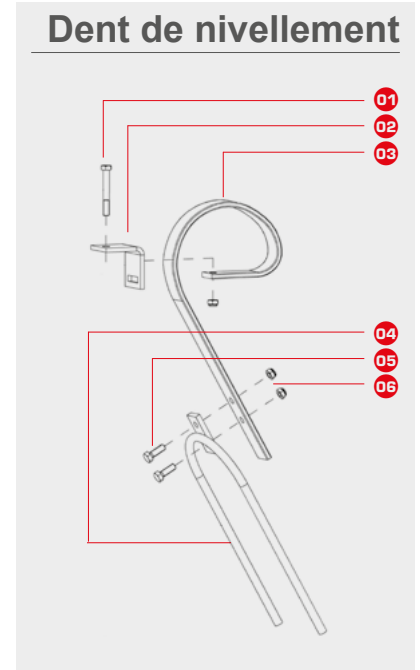


## Eurochisel 2



## SPECIFIC PARTS FOR DEKOFLEX AND DEKOFLEX P

References	Description	€	Weight	Item n°
M211218	Screw H M12X90 8.8	2.47 €	0,10kg	1
DBDT4510	Leveling Tine 45X10/50X50	48.34 €	3,10kg	3
7C00205	Double Tooth 45X10	54.50 €	1,60kg	4
VI2905	Screw H M12X35 8.8	1.81 €	0,05kg	5
VJ322	Nyloc Nut H M12	0.54 €	0,02kg	6
DIPPCJ40	Bearing Pcj 40 Fa 319.9	77.30 €	1,75kg	



## WEARING PARTS FOR DEKOFLEX AND CULTIS

References	Description	€	Weight	Item n°
DDENC35D	Tine 35X35 Right Without Point	156.53 €	19,00kg	-
DDENC35G	Tine 35X35 Left Without Point	156.53 €	19,00kg	-
DPBR3535	Tine Bracket 35X35	86.23 €	3,90kg	-
M320057	Reversible Point 75X13Mm	27.69 €	2,05kg	7
M320060	Rev. Point 55X12 Tine C35	25.81 €	2,50kg	-
M340071	Carbide Point 60X20Mm	138.97 €	2,50kg	8
7C00148	Rev. Point 40X16 Tine C30	25.95 €	2,00kg	-
7C00159	Wing Tine C30	46.85 €	1,10kg	-
7C00165	Wing Tine C35	46.85 €	1,10kg	-
VJ610	Nut Hu M12 8 Din934	0.51 €	0,02kg	-
VJ113	Nyloc Nut M12 8 Znbl	0.30 €	0,03kg	-



## EUROCHISEL PARTS

Ref.	Description	€	Weight	Item n°	Fixation		
					Upper screw	Lower screw	Nut
M340051	Bolted Goose Share 254X8mm	57.10 €	2.95kg	9	M231263	M231250	M241231
M340052	Bolted Goose Share 306X8mm	58.67 €	3.20kg	10	M231263	M231250	M241231
M340076	Reversible Point TH	48.42 €	3.45kg	11	VI2201	VI2203	M241231
M340078	Wing Stay Wide 10"	54.02 €	1.93kg	12	VI2202	VI2204	M241231
M340096	WING SW-356	61.54 €	1.58kg	12	VI2202	VI2204	M241231
M340117	DART 65 point	27.78 €	1.89kg	13	M231257	M231250	M241231
M340090	DART carbide 80 point	191.65 €	2.50kg	14	VI2202	VI2204	M241231
M340086	Double Mix deflector	27.65 €	0.99kg	15	-	-	-
M340088	Universal deflector	32.00 €	1.59kg	16	-	-	-
M340087	Wing 10" 1/2	54.02 €	1.36kg	17	-	-	-
M340107	Carbide point TH	119.55 €	5.20kg	18	VI2201	VI2203	M241231



# Crossland point **DART CARBIDE**



*New cutting-edge technology!*

For stubble cultivation works between 10 and 30 cm deep.

## **SCREW HEAD PROTECTION**

Hexagonal head screws are embedded in the point, so as to prevent them from rotation and facilitate the mounting and dismounting.

## **MOULDED FIXING SYSTEM**

It enables to maintain the auxiliary parts such as deflectors and wings.

## **INTEGRATED SLIDE**

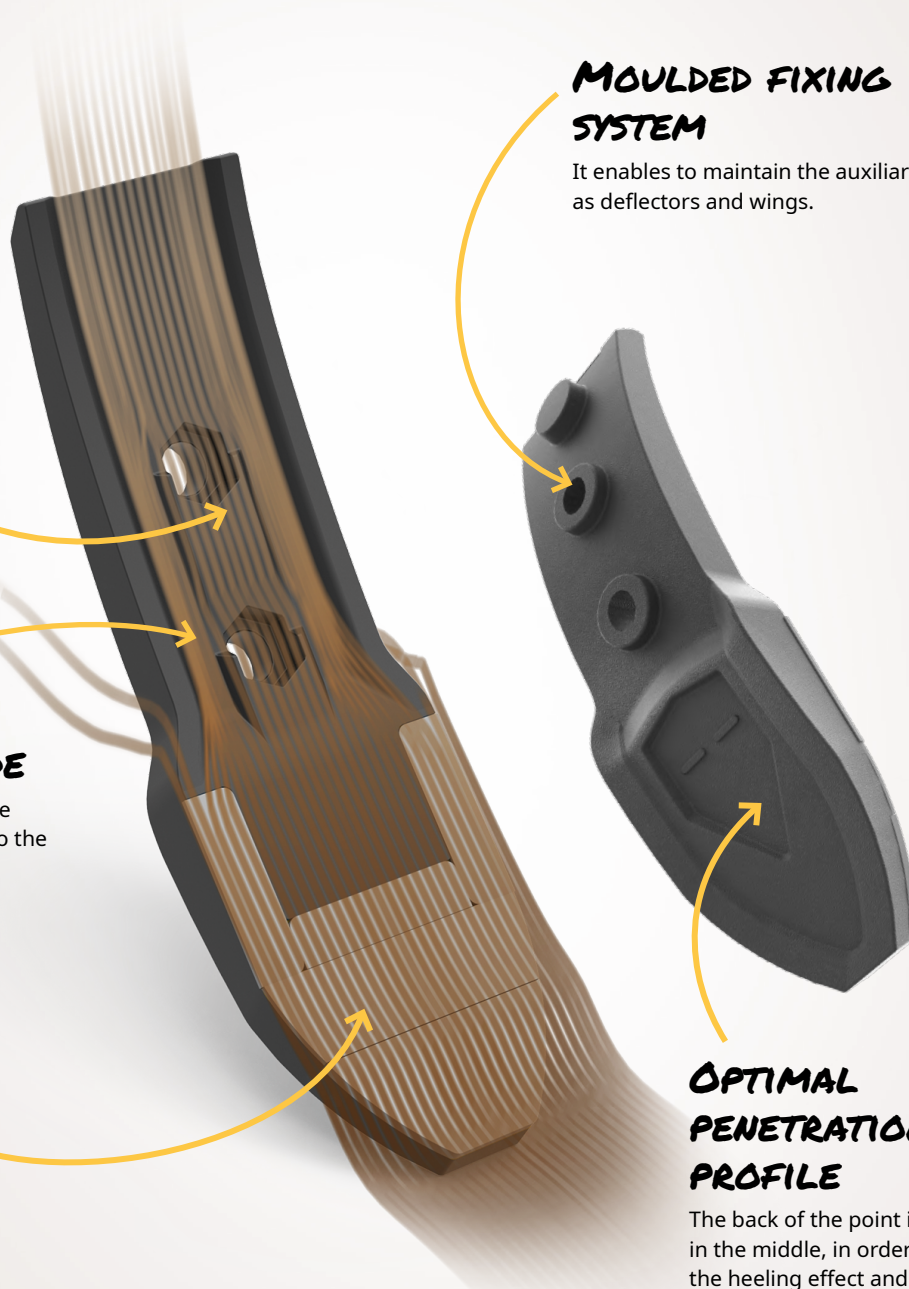
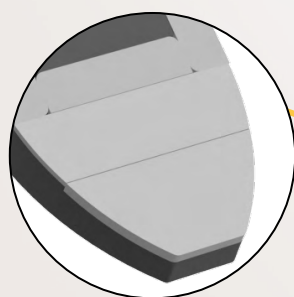
The reinforcements on each side allow a good flow of the earth to the deflector.

## **OPTIMAL PENETRATION PROFILE**

The back of the point is hollowed out in the middle, in order to eliminate the heeling effect and thus to allow a good penetration in the soil.

## **CARBIDE PLATE**

3 levels of plates ensure a regular wearing for a maximum longevity.



# DART range

*New collection of wearing parts!*

For stubble cultivation between 10 and 30 cm deep.



## POINTS

The new DART range is made for your shallow or deep stubble ploughing work. Its design allows it to perfectly fit the tine while offering mixing solutions adapted to your requirements.



DART Carbide  
point 80 mm  
Ref. : M340090



DART point forged  
65 mm  
Ref. : M340117

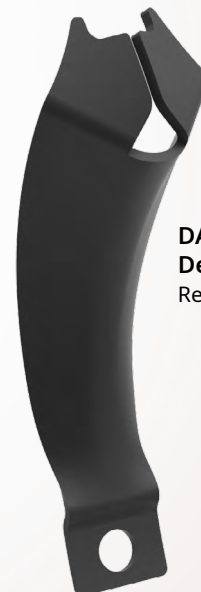
*Many combinations possible!*

## DEFLECTORS

To ensure a good mix, two types of deflectors are available. The double mix deflector allows the flow of soil to be directed towards the front of the tine, while the universal deflector divides the flow of soil to either side of the tine.



DART Double mix  
Deflector  
Ref. : M340086



DART Universal  
Deflector  
Ref. : M340088

## WING

The wing allows for better crossing when stubble cultivation, Two widths are available:

254 mm for the 230 mm step or 355 mm for the 306 mm step.



DART wing  
Ref. :

- 254mm : M340087  
- 306mm : M340089



## QUICK CHANGE

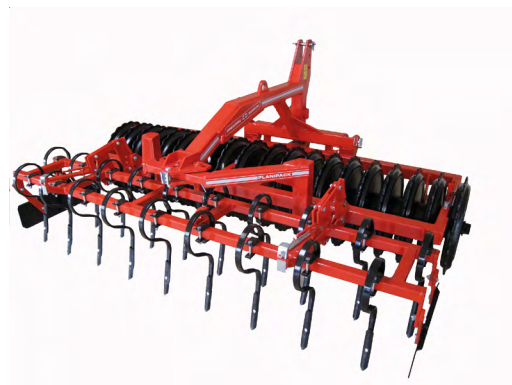
Ref.	Description	€	Weight	Repère
M340045	Straight Point QC EC1	30.89 €	1.30kg	1
M340040	Chisel Goose Share QC-254	55.57 €	3.00kg	2
M340042	Chisel Goose Share QC-305	57.10 €	3.30kg	3
M340044	Universal Trashboard QC	52.72 €	1.50kg	4
M340047	Up Protection	16.29 €	0.30kg	5
M340008	Qc Shim 50°	18.32 €	0.60kg	6
M340016	Spring QC Shim	4.01 €	0.10kg	7
M340073	Spring QC Shim (Heavy Conditions)	4.01 €	0.10kg	8
6920088	Key For Disassembly QC	105.13 €	1.88kg	9

## SCREW AND NUT

Ref.	Description	€	Weight
M241231	Collar Nut 1/2" Unc 195	1.20 €	0.03kg
M231250	Peg Screw 1/2"X2"Unc195 8,8	0.92 €	0.05kg
M231257	Peg Screw 1/2"X1"1/4 Unc 195	1.10 €	0.06kg
M231263	Peg Screw 1/2"X63mm	1.28 €	0.06kg
M231269	Peg Screw 1/2"X69mm	1.46 €	0.07kg
VI2201	Screw H 1/2x 1"3/4 (44mm) Gr.8	2.10 €	0.04kg
VI2202	Screw H 1/2x 2" (51mm) Gr.8	2.25 €	0.05kg
VI2203	Screw H 1/2x 2"1/4 (57mm) Gr.8	2.38 €	0.05kg
VI2204	Screw H 1/2x 2"1/2 (63mm) Gr.8	2.54 €	0.06kg

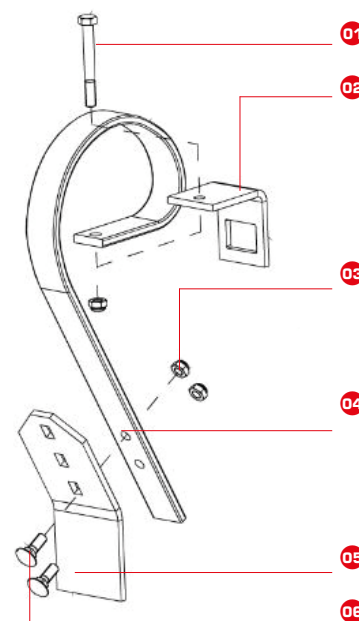
**PARTS FOR PLANIPAK / PLANIDISK**

Ref.	Description	€	Weight
DBDT3212	Straight Tine 32X12 With Point	<b>38.16 €</b>	3.50kg
7C00181	Straight Tine 45X12 With Point	<b>54.81 €</b>	4.30kg
FOMA0017	Point 210X40X6mm	<b>5.89 €</b>	0.40kg
M230806	Bolt TOCC M10X38 8.8 Brut	<b>1.32 €</b>	0.02kg
DPBR1112	Tine Bracket 32X12	<b>9.03 €</b>	0.26kg
7C00050	Tine Bracket 45X12	<b>10.55 €</b>	0.30kg
M211218	Screw H M12X90 8.8	<b>2.47 €</b>	0.10kg
VJ322	Nyloc Nut H M12	<b>0.54 €</b>	0.02kg


**CROSSBOARD ACCESSOIRES\***

Ref.	Description	€	Weight
02 7C00180	Tine Bracket 45X10	<b>13.82 €</b>	
05 7C00168	Folded Blade 100X8	<b>23.71 €</b>	1.50kg
05 7C00216	Blade 45X10	<b>23.48 €</b>	
04 DBDT4510	Leveling Tine 45X10/50X50	<b>48.34 €</b>	3.50kg
06 VI1620	Screw TRCC M12X35 8.8	<b>1.86 €</b>	0.06kg
01 VI2920	Screw H M12X100 8.8	<b>2.64 €</b>	0.10kg
03 VJ322	Nyloc Nut H M12	<b>0.54 €</b>	0.01kg

\* MONTAGE SUR PLANIPACK UNIQUÉMENT

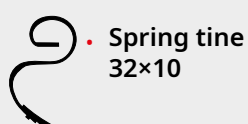
**Crossboard accessory**

**PARTS FOR DISKSOL AND PLANIDISK**

Ref.	Description	€	Weight
7010132	Disc Ø700 Shaft Ø50	<b>284.78 €</b>	28.00kg
DMTDCR00	Disc Coupling	<b>27.98 €</b>	2.85kg
DIPASE50	Complete Bearing Disksol	<b>94.45 €</b>	2.90kg
DIPPCJ50	Complete Bearing Planidisk	<b>76.59 €</b>	2.25kg

FOR PLANIPACK CHECK THE BOARD OF EMOPAK ROLLER

INFO : DISC D52 BEFORE THE SERIAL N° 1019

INFO : DISC D50 FROM THE SERIAL N° 1020



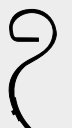
• Spring tine 32×10



• Clear track tine



• Straight tine 32×10 maestro



• Semi straight Tine 32×10



• Straight Tine 32×10



• Semi-straight tine 45×12

**TINES FOR SEED BED HARROW**

Ref.	Description	€	Weight	Soc	Fixation	
					Qty	Ref.
M300005	Tine 32X10	<b>20.39 €</b>	2,89kg	M320005	1	M231008
M300015	Straight Tine 32X10 Maestro	<b>28.73 €</b>	1,90kg	M320055	1	M231008
M300026	Tine 32X10 Semi Straight	<b>40.57 €</b>	3,00kg	M320005	1	M231008
M300007	Tine 32X10 Point Ball	<b>37.34 €</b>	3,00kg	M320005	1	M231008
M302010	Clear Track Tine 40X10	<b>42.47 €</b>	3,00kg	M320005	1	M231008
M300031	Straight Tine 45X12	<b>47.50 €</b>	4,80kg	M320012	1	M231007

## PARTS FOR TETRIS

Ref.	Description	€	Weight
7C00368	Right Tine 45x12 Tetris	<b>70.49 €</b>	5.50kg
7C00202	Reinforced Tine SOF3 Tetris	<b>39.18 €</b>	
FOMA0017	Point 210X40X6mm	<b>5.89 €</b>	0.40kg
VI1108	Bolt TC M10x45 8.8 Brut	<b>2.03 €</b>	0.05kg
VJ141	Nyloc Nut M10	<b>0.64 €</b>	0.02kg
7C00051	Spring Reinforcement 45X12	<b>11.62 €</b>	0.77kg
VI2929	Screw H M12x110 8.8 Z	<b>0.89 €</b>	0.12kg
7C00355	Flange for Spring Reinf. 45X12 C70	<b>12.59 €</b>	
VI2921	Screw H M12x120 8.8 Z	<b>2.92 €</b>	0.12kg
VJ322	Nyloc Nut H M12	<b>0.54 €</b>	0.02kg



## PARTS FOR FLAT HARROW

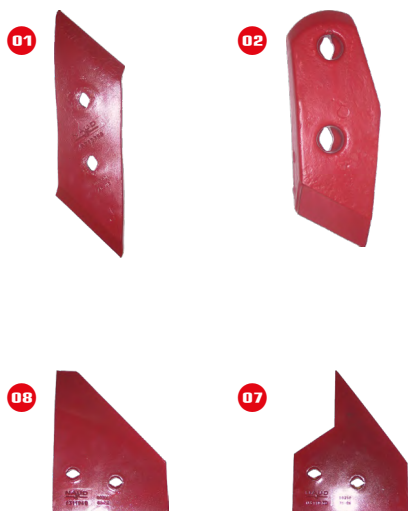
Ref.	Description	€	Weight
M303014	Tine Sq. 25 Ms Lg:260 M22	<b>21.79 €</b>	1.30Kg
M670024	Spring D18Mm	<b>32.79 €</b>	2.00Kg
M611005	Technyl Bearing Ø 25	<b>14.40 €</b>	0.10Kg
E2300005	Protection Bearing	<b>10.56 €</b>	0.15Kg
E2300001	Shaft Ø 25 70X10	<b>54.36 €</b>	1.40Kg

01  
02



## PARTS FOR PRECILITOR

Ref.	Description	€	Weight	DT	SB
7C00218	Track eradicators - Right 25X25	<b>159.83 €</b>	7.00kg	•	•
7C00219	Track eradicators - Left 25X25	<b>159.83 €</b>	7.00kg	•	•
M320005	Tine Share 32X10 And 32X12	<b>10.65 €</b>	0.30kg	•	•
VI1006	Bolt Tfcc M10X50 8.8.	<b>1.01 €</b>	0.05kg	•	•
VJ141	Nyloc Nut M10	<b>0.64 €</b>	0.02kg	•	•
DEHBRD25	Tine Bracket C25 Compl.	<b>67.45 €</b>	3.00kg	•	
DEHMBR03	Fixation For Frame 35X35	<b>8.78 €</b>	0.20kg	•	
VJ321	Nyloc Nut H M10	<b>0.29 €</b>	0.01kg	•	
DHMD2510	Compl. Tine 25X10	<b>48.57 €</b>	1.40kg	•	
DHSTS5MD	Point For Tine 25X10	<b>5.69 €</b>	0.10kg	•	
DHBS8X33	Bolt Tocc M8X33 8.8	<b>1.62 €</b>	0.05kg	•	
DEHMBR03	Fixation For Frame 35X35	<b>8.78 €</b>	0.20kg	•	
VI2814	Screw H M10X70 8.8 Z	<b>1.22 €</b>	0.05kg	•	
VJ321	Nyloc Nut H M10	<b>0.29 €</b>	0.01kg	•	
7005195	Croskil Disc D400	<b>196.66 €</b>	19.00kg	•	•
7005200A	Croskil Spacer	<b>25.92 €</b>		•	•
DIPASE50	Complete bearing	<b>94.45 €</b>	2.90kg	•	•
DBDT3212	Straight Tine 32X12 With Point	<b>38.16 €</b>	3.50kg		•
FOMA0017	Point 210X40X6mm	<b>5.89 €</b>	0.40kg		•
M230806	Bolt TOCC M10X38 8.8 Brut	<b>1.32 €</b>			•
DIPPCJ40	Bearing Pcj 40 Fa 319.9	<b>77.30 €</b>	1.75kg		•



## Les socs :

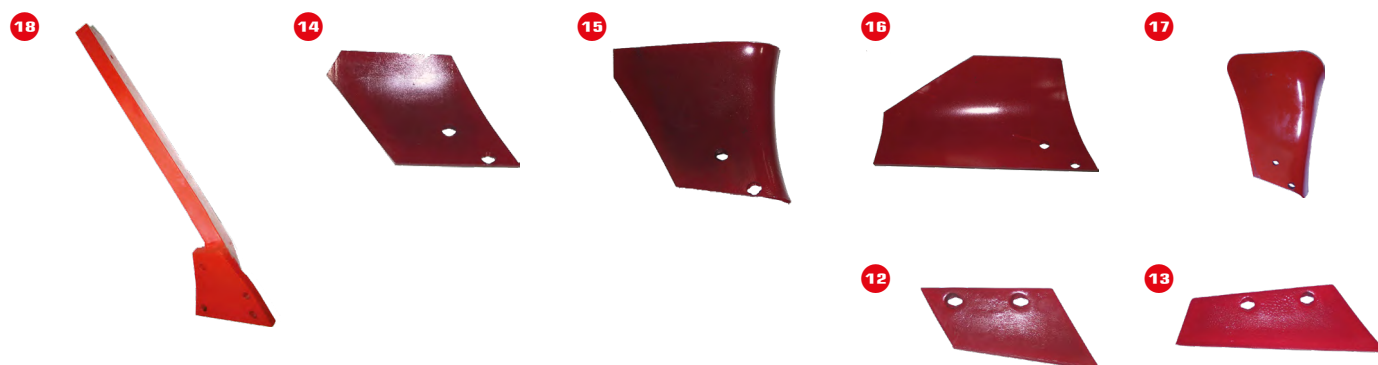
» **03** Convient aux terres caillouteuses, et très usantes. Importante longévité, accrue par la pointe réversible interchangeable.

» **04** Convient aux terres caillouteuses, argileuses collantes, peu usantes et sans problème de pénétration

» **05** Convient aux terres caillouteuses, argileuses, difficiles de pénétration, moyennement usantes.

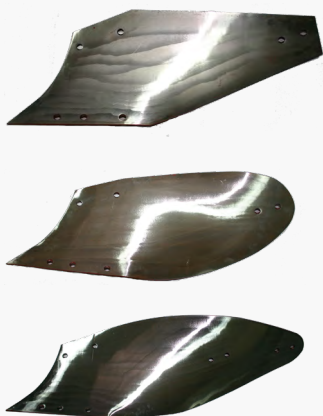
### WEARING PARTS FOR NAUD PLOUGH

References		Description	€	Weight	Fixation	Item n°
Left	Right					
031235G	031235D	Reversible Point	14.68 €	2.25Kg	2	051849 1
031234G	031234D	Carbide Point	94.78 €	2.60Kg	2	051849 2
031189G	031189D	Share 16"	54.52 €	6.50Kg	3	051842 3
400123G	400123D	Lame pour Versoir Plast.	100.62 €	8.50Kg	3	051842 -
	031191	Landside Medium (3Holes)	23.79 €	3.65Kg	1+2	051849+051842 -
	031192	Landside Long (4Holes)	43.85 €	4.70Kg	1+3	051849+051842 -
031193G	031193D	Coulter Tercol	20.30 €	1.43Kg	2	051849 7
031194G	031194D	Coulter Fitted	20.56 €	1.90Kg	2	051849 8
400536G	400536D	Etrave Versoir Plastique	100.04 €	0.64Kg	2	051814 -



### SKIMMERS

References		Description	€	Weight	Fixation	Item n°
Left	Right					
031240G	031240D	Skimmer Share Large	13.92 €	1.00Kg	2	051805 12
031241G	031241D	Skimmer Share Xlarge	26.38 €	1.33Kg	2	051805 13
400421G	400421D	Skimmer Mouldboard Universelle	56.70 €	2.60Kg	2	051805 15
400211G	400211D	Skimmer Mouldboard	122.97 €	3.50Kg	2	051805 17
306291G	306291D	Skimmer Support	123.97 €	6.30Kg	-	- 18



## The Mouldboard:

- » C31A: Mouldboard medium capacity for closed and broken plow, crumbled see if the working speed is fast. Working depth: 15-25 cm
- » C34A: Plow in medium or high ground. For a semi-closed and broken plowing. Working depth: 18-30 cm
- » H55A: Versatile mouldboard for plowing back suitable for clay soils. Working depth: 10-25 cm
- » H67A: Mouldboard high capacity for closed or less depending on the speed molded more plowing. Working depth: 18-30 cm

### MOULDBOARDS

References		Description	€	Weight	Old Code	Qty	Fixation
Left	Right						Ref.
031143G	031143D	Mouldboard C31A Boron	<b>215.09 €</b>	14.15kg	03022352G/D	6+1	051814 + 051829
	306417	Mouldboard Stay C31/C34	<b>85.21 €</b>	1.80kg	03092302		-
031146G	031146D	Mouldboard C34A Boron	<b>246.33 €</b>	16.75kg	03022354G/D	6+1	051814 + 051829
	306417	Mouldboard Stay C31/C34	<b>85.21 €</b>	1.80kg	03092302		-
031169G	031169D	Mouldboard H54A Boron	<b>296.79 €</b>	15.98kg	03023554G/D	6+1	051814 + 051829
	306337	Mouldboard Stay H54/H55	<b>85.21 €</b>	1.80kg	03093504		-
031172G	031172D	Mouldboard H55A Boron	<b>246.20 €</b>	17.15kg	03023555G/D	6+1	051814 + 051829
	306337	Mouldboard Stay H54/H55	<b>85.21 €</b>	1.80kg	03093504		-
031175G	031175D	Mouldboard H67A Boron	<b>296.64 €</b>	22.25kg	03023657G/D	8+1	051814 + 051829
	306418	Mouldboard Stay H67 Short	<b>85.21 €</b>	1.80kg	03092602		-
	306336	Mouldboard Stay H67 Long	<b>100.04 €</b>	2.30kg	03092612		-
400178G	400178D	Mouldboard Extension	<b>48.22 €</b>	1.50kg	03080115G/D	2	051829

### BOLTWORK

Ref.	Description	€ (box)	Weight	Old Code
051805	Bolt 10X30 1E Box X25	<b>15.10 €</b>	0.80kg	4020205
051814	Bolt 12X30 2E Box X25	<b>22.44 €</b>	1.10kg	3020205
051824	Bolt 12X35 2E Box X25	<b>23.64 €</b>	1.25kg	3020505
051829	Bolt 12X40 2E Box X25	<b>25.05 €</b>	1.50kg	3020705
051842	Bolt 14X30 2E Box X25	<b>27.57 €</b>	1.70kg	3050205
051849	Bolt 14X40 2E Box X25	<b>33.39 €</b>	1.90kg	3050405
051854	Bolt 14X45 2E Box X25	<b>35.60 €</b>	2.10kg	3053405
051858	Bolt 14X50 2E Box X25	<b>36.93 €</b>	2.30kg	3054605
051801	Secu. Bolt 14X65/30 Box X25	<b>165.14 €</b>	3.00kg	62016435
051806	Secu. Bolt 16X170/44 Box X25	<b>143.89 €</b>	8.20kg	-
051807	Secu. Bolt 16X170/44 Box X25	<b>188.10 €</b>	8.30kg	-



### SECURITY ELEMENTS

Ref.	Description	€	Weight	Old Code
054NA	Eye 64X39,1X30	<b>71.31 €</b>	0.40kg	-
052311	Eye 78X54X40	<b>55.11 €</b>	0.70kg	51041576
030801	Wearing Bush 39X35X50	<b>27.57 €</b>	0.10kg	-
052310	Wearing Bush 40X54X40	<b>61.43 €</b>	0.30kg	51041676
400063	Safety Rod RN	<b>322.56 €</b>	9.30kg	52032119
305640	Articulation Ball RN	<b>47.02 €</b>	0.26kg	52031119
030692	Security Spring RN	<b>505.87 €</b>	19.30kg	52032315
052224	Rod Shaft	<b>67.01 €</b>	1.80kg	32114138

# GENERAL TERMS OF SALE

## Definitions

«The Company» means Grégoire Besson. «The Customer» means the person, firm, company or organization who orders the goods.

## Article 1 - Application and opposability of general terms of sale

- The present general terms of sale are systematically addressed or delivered to each Customer, giving him the possibility to place an order.
- Consequently, the fact to place an order implicates that the Customer approves of this general terms of sale without any reserve.

## Article 2 - Order booking and order modification

- The orders are definitive when there are confirmed in writing.
- The Company is bound to the orders booked by its agents or employees when confirmed in writing and signed.
- Each order modification or cancelling can only be taken into consideration when the Customer informs the Company in writing, before the dispatch of the goods.

## Article 3 - Delivery terms, delivery time and risks

- The Company's policy is one of continuous development and improvement. Accordingly descriptions, specifications, prices, sizes, weights etc. shown in price lists, leaflets etc. are subject to change. Final specification on equipment (including price and terms) will be contained in our order acknowledgement.
- The delivery is executed through direct supplying to the Customer or through simple advice to the Customer that the goods are ready for collecting or through delivery to a shipper or carrier in our premises.
- Deliveries are executed according to the delivery time specified and the available stocks. The Company is authorized to carry out global or part deliveries. Delivery times are indicated as precise as possible, but depend on the Company's supplying and transport possibilities.
- Damages claim or cancelling of an order on hand because delivery time is not met is excluded. However, if the product is not delivered after 60 days date indicated delivery, except of act of God, the one or the other party can cancel the order. The deposit will be restituted to the Customer except for any other compensation or damages.
- Are considered to be acts of God releasing the Company from obligation to deliver : war, riot, fire, strike, accident or the impossibility to be supplied.
- The Company must inform the Customer, at the appropriate time, of the cases or events above listed.
- The goods are carried at Customer's risks. The risks transfer takes place from shipment from the Company's premises.
- Damage or missing parts must be notified to the carrier in writing and by registred letter with acknowledgement of receipt 3 days at the latest after receiving the goods

## Article 4 - Receipt of goods, claims, return of goods

- As soon as the Customer receives the goods, he has to check their conformity with the sale contract. Every claim concerning visible defects or wrong delivery must be notified in writing 8 days after receipt of goods.
- The Customer must provide each justification about the reality of noted defects and anomalies.
- The Company only is allowed to palliate the defects. The Customer is not authorized to carry out himself modifications or let a third party execute repairing work.
- Every return of goods is subject to formal agreement between the Company and the Customer. If the goods are returned without prior agreement, it cannot be made out any credit note. The Customer is always in charge of return costs and risks.
- Every return accepted by the Company will lead to a credit note in favour of the Customer, after qualitative and quantitative checking of the returned goods. The goods can as well be replaced free of charge, to the exclusion of any damages and compensation.

## Article 5 - Prices and invoicing

- All goods are delivered at the ruling price when placing the order. Prices are given exclusive of VAT and ex-works.
- For each delivery, the Company makes out an invoice. Our invoices are payable at the Company's head office «GREGOIRE BESSON « in MONTIGNE-SUR-MOINE.

## Article 6 - Terms of payment - Late payment

- Terms of payment are as follows : payment at 60 days net from invoice date.
- In case of late payment, the Company can suspend all the orders on hand. As late payment charge, it will be invoiced back interests, amounting to 1,50 % beyond the central bank rate.
- When paying by means of a draft, if the Customer does not return the draft to the Company's accounts department, this will be considered as an acceptance refusal, comparable to a payment failure.
- In case of payment by instalments, if one instalment is not paid at due date, all the instalments are to be paid immediately.
- If the payment date mentioned in an invoice is not observed, all the other invoices are to be paid immediately.
- Any payment can be refused or postponed on the pretext of some contestation between the Customer and the Company, especially concerning the application of the warranty clauses.
- Before carrying out the received orders, the Company can require cash payment or draft payable at sight in following cases : change in the Customer's solvency, activity or company status, or if an assignment or pledging acts unfavourably on the Customer's solvency.

## Article 7 - Title to property

- All goods shall remain the property of the Company until the Customer has paid in full the whole of the contract price (according to the law of 12.05.1980).
- While the goods remain in the ownership of the Company, the Customer shall keep them and insure them against damage, destruction or theft for their full value.
- The Customer is authorized to resell the goods of the contract, but he must pay immediately to the Company the outstanding sum if the amount or a part of the amount is still due, or to inform the Company of this reselling so as the Company can preserve its rights and, if the case arises, can exert a claim against the reselling price to the sub-purchaser.
- The Customer is expressly prohibited from creating any mortgage, charge, lien or other encumbrance adverse to the title of the Company.
- In case of garnishment, or any intervention of a third party on the goods, the Customer must immediately inform the Company.

## Article 8 - Court of competent jurisdiction

- In case of litigation or contestation relative to the order fulfilment, only the court of ANGERS is competent to settle the litigation, unless the Company prefers to refer to any other court of competent jurisdiction.
- This applies as well for drafts which are payable outside the Company's domicile.



## Article 1 | Period of warranty

---

- GREGOIRE BESSON shall warrant that their machines are delivered free from obvious and hidden defects and that they comply with the agreed-upon quality standards. Defects and damages on the machine that might occur as a result of faulty construction or from the use of unsuitable materials are covered by GREGOIRE BESSON.
- This warranty shall extend for a period of one year (12 months) from the delivery date to its first owner. That date is documented by the date on the invoice from the GREGOIRE BESSON DEALER to the first owner of the machine. That date must be confirmed to GREGOIRE BESSON within 30 days after delivery of the machine to its first owner by the transmission of the Warranty Registration Form for that machine.
- In the case warranty interventions would occur within the warranty period it does not extend its duration.

## Article 2 | Warranty Registration Form

---

- Warranty Registration Form should be filled on the dedicated GREGOIRE BESSON Extranet access of the DEALER. All the information must be filled properly and extensively. As an attachment to the Warranty Registration Form the DEALER must include a proof of sale (invoice) to the first owner showing the effective delivery date of the machine that will confirm the starting date of the warranty period.

## Article 3 | Application

---

- A/ GREGOIRE BESSON will only honor the warranty for the machines whose Warranty Registration Form has been returned properly.
- B/ To be activated, the Service Request under warranty should be sent within 30 days after the incident and documented on the GREGOIRE BESSON Service Request Form only.
- C/ The warranty shall cover the repair or replacement of defective parts only after analysis and approval from GREGOIRE BESSON After Sales Department.
- D/ During the warranty period and only after validation of GREGOIRE BESSON After Sales Department, all required new parts, transport of those new parts and possible technician costs (depending of the grid of intervention time that have been predefined by GREGOIRE BESSON) should be at the expense of GREGOIRE BESSON.

## Article 4 | Case of non-application

---

- A/ In the case of a missing or incomplete Warranty Registration Form, the warranty period will start from the date of the invoice between GREGOIRE BESSON and its DEALER, and the GREGOIRE BESSON liability will be limited to new parts delivery only.
- B/ GREGOIRE BESSON warranty is not applicable for the wearing spare parts such as shares, points, mouldboards... unless a specific technical defect has been detected and validated by GREGOIRE BESSON After Sales Department.
- C/ Defects or damages due to normal wear or due to outside circumstances (faulty assembly of the customer, faulty maintenance, abnormal or abusive use, lack of proper protection during storage, vandalism, bad weather, natural elements, collisions, accidents...) are excluded from the warranty.
- D/ Any product modifications without prior written notice from GREGOIRE BESSON voids the warranty.
- E/ The warranty does not apply to second-hand machines.

## Article 5 | Investigation on parts

---

- Faulty parts must be kept by the GREGOIRE-BESSON dealer and made available to GREGOIRE BESSON technicians during a period of 4 months after the approved Service Request. GREGOIRE BESSON might request the return of faulty parts for investigation and those returned parts are to be shipped prepaid. Alternatively GREGOIRE BESSON might instruct the dealer to destroy the faulty parts.

## Article 6 | Extension of Warranty

---

- GREGOIRE BESSON sells a 24 months warranty extension. The cost of this extended warranty is equivalent to 3,5% of the GREGOIRE BESSON Price List's value of the machine.



**GB**  
**PARTS**



GB\_PL\_PARTS\_227\_IN\_230831 - Grégoire Besson se réserve le Right de modifier sans préavis les caractéristiques, équipements, et prix des pièces présentées. Cette documentation (descriptions, prix indicatifs et photos) ne constitue en aucun cas un document contractuel.

**Grégoire Besson**

**Tél. +33 (0)2 41 64 72 67**

2 rue Victor Grégoire  
Montfaucon Montigné  
49230 SÈVREMOINE - France

[gregoire-besson.com](http://gregoire-besson.com)

[parts.gb-group.co](http://parts.gb-group.co)